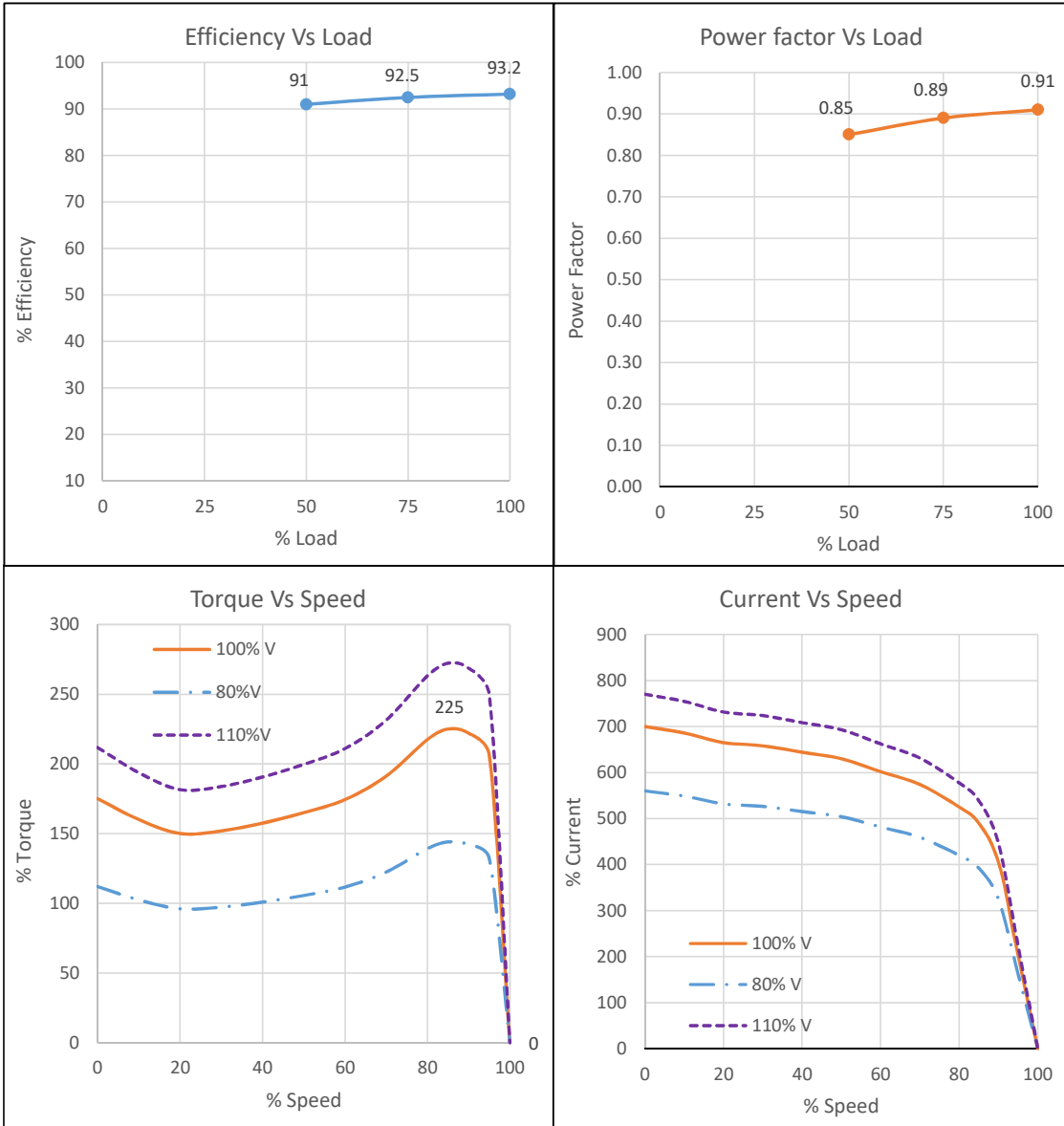


**IE2****TECHNICAL DATASHEET  
3 PHASE INDUCTION MOTOR****kirloskar  
motors**

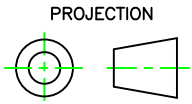
Sr No	Parameter	Unit	Data
<b>Product Specifications</b>			
1	Rated Output	kW	55
2	Number of Poles	No	2
3	Frame Designation		KM250M
4	Product Code		KM2.55T0.ARC.B03.TSS
5	Mounting		B3
<b>Electrical</b>			
6	Type of Duty		Continuous S1
7	Rated Voltage	V	415 ±10%
8	Rated Frequency	Hz	50 ±5%
9	Rated Speed	RPM	2965
10	Rated Current	A	90
11	Method of Starting		Direct On Line
12	Starting Current (SCC)	% of FLA	700
13	Rated Torque	Kg-m	18.07
14	Starting Torque (STT)	% of FLT	175
15	Maximum Torque (POT)	% of FLT	225
16	Efficiency at 100% / 75% / 50% load	%	93.2 / 92.5/ 91
17	Power factor at 100% / 75% / 50% load		0.91 / 0.89 / 0.85
18	Thermal Withstand Time (Hot)	s	12
19	Thermal Withstand Time (Cold)	s	24
20	Thermal Time Constant (Stator)	min	60
21	Connection / Number of Terminals		Delta / 6
22	Permissible Starts/hour (Hot/Cold)	Nos	2/3
23	Insulation Class / Thermal Limit		F/B
24	Winding Treatment		VPI, Dual Coat Copper Wire
<b>Mechanical</b>			
25	Degree of Protection		IP55
26	Enclosure / MOC /Method of Cooling		TEFC / CI/ IC411
27	Bearing DE/NDE		6315 C3/6314 C3
28	Type of Coupling		Direct/Flexible
29	Noise Level		As per IS12065
30	Vibration Level		As per IS12075
31	Moment of Inertia GD <sup>2</sup>	kg-m <sup>2</sup>	1.84
32	Position of Terminal Box		TOP
33	Maximum Cable Size		2X3CX120 mm <sup>2</sup>
34	Direction of Rotation		Bidirectional ( Default: CW from DE)
35	Paint Shade		RAL 7046- Telegrey
36	Net weight	kg	390
37	Accessories		PTC 130 - 3 Nos (1 No / phase)
<b>Enviromental</b>			
38	Ambient Temperature /Temperature Rise	°C	50 / 70 (By resistance method)
39	Altitude Above MSL	m	≤ 1000
<b>Notes:</b> All performance data shall be subject to tolerances as per IS15999/IEC 60034. Applicable Standards:IS 12615-2018, IS 15999-1			
Customer		PO No./ Enq. No	
		Date	
Checked	BMD	13-12-2022	
Approved	SSN	13-12-2022	Document No: KM2-001 Rev.0
<b>KIRLOSKAR OIL ENGINES LTD.</b>			
<b>ELECTRIC MOTORS</b>			

# PERFORMANCE CURVE

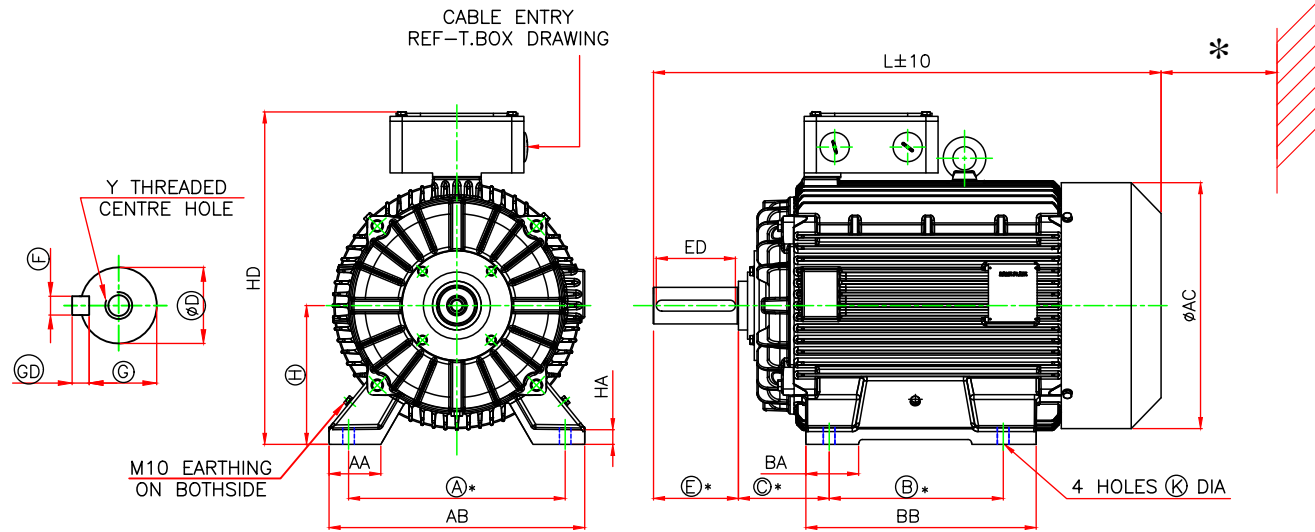


kW	55	Customer	
Pole	2	PO No / Enq. No	
Frame	KM250M	Date	
Mounting	B3	Product Code	KM2.55T0.ARC.B03.TSS
Checked	BMD	13-12-2022	
Approved	SSN	13-12-2022	Document No KM2-002 Rev. 0

KIRLOSKAR OIL ENGINES LTD.  
ELECTRIC MOTORS



# GENERAL ARRANGEMENT DRAWING FOR TEFC 3 PHASE INDUCTION MOTOR



FRAME	FOOT FIXING									OVER ALL			
	A	B	C	H TOL.	AA	AB	BA	BB	K TOL.	AC	L	HD	HA
KM250M	406	349	168	250/249.5	92	498	90	434	24/24.5	454	920	600	25

D END SHAFT EXTENSION AND KEY						
D TOL.	E	ED	F TOL.	GD TOL.	G	Y
60.030/60.011	140	130	18/17.957	11.0/10.9	53.0/52.9	M20X40

kW	PRODUCT CODE
	2 POLE
55	KM2.55T0.ARC.B03.TSS

## NOTES:

- ONE EARTHING TERMINAL IS PROVIDED INSIDE MAIN TERMINAL BOX.
- \* 100mm MINIMUM DISTANCE TO BE MAINTAINED FOR EFFICIENT COOLING OF THE MOTOR.
- \* TOLERANCES ON MANDATORY DIMENSIONS ARE AS PER IS:1231/IEC:60072

RINGED DIMENSIONS ARE AS PER IS:1231/IEC:60072

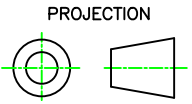
ALL DIMENSIONS ARE IN mm,

	NAME	DATE	kW	REFER TABLE	FRAME	KM250M
DRAWN	SGS	05/01/2023	POLE	REFER TABLE	MOUNTING	B3 (HORIZONTAL FOOT)
CHECKED	SGS	05/01/2023	PRODUCT CODE	REFER TABLE	CUSTOMER	
APPROVED	SSN	05/01/2023	MAX. CABLE SIZE	2RX3CX120MM <sup>2</sup>	PO NO	
			PROJECT		CLIENT	

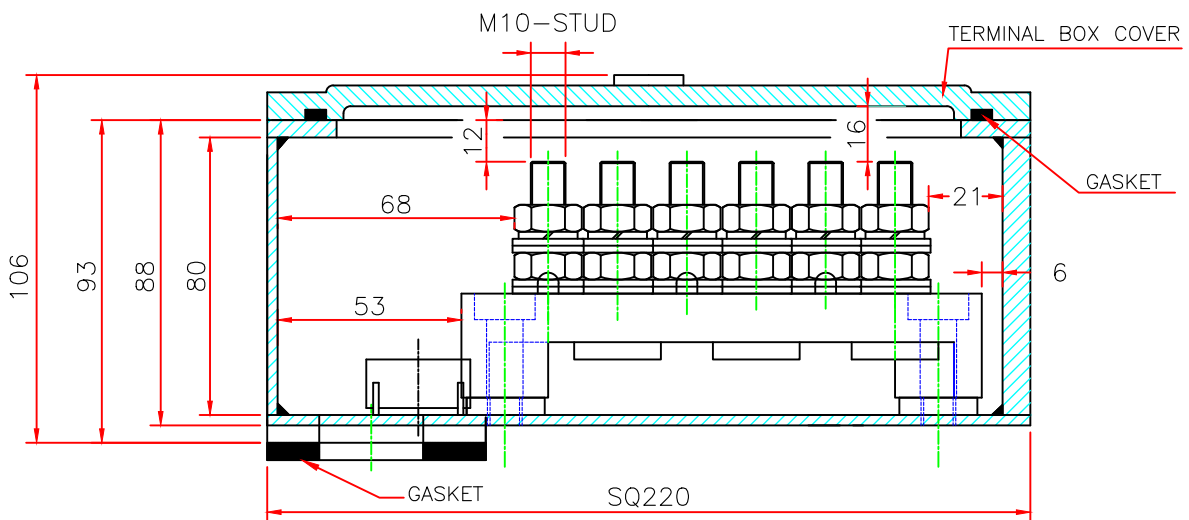
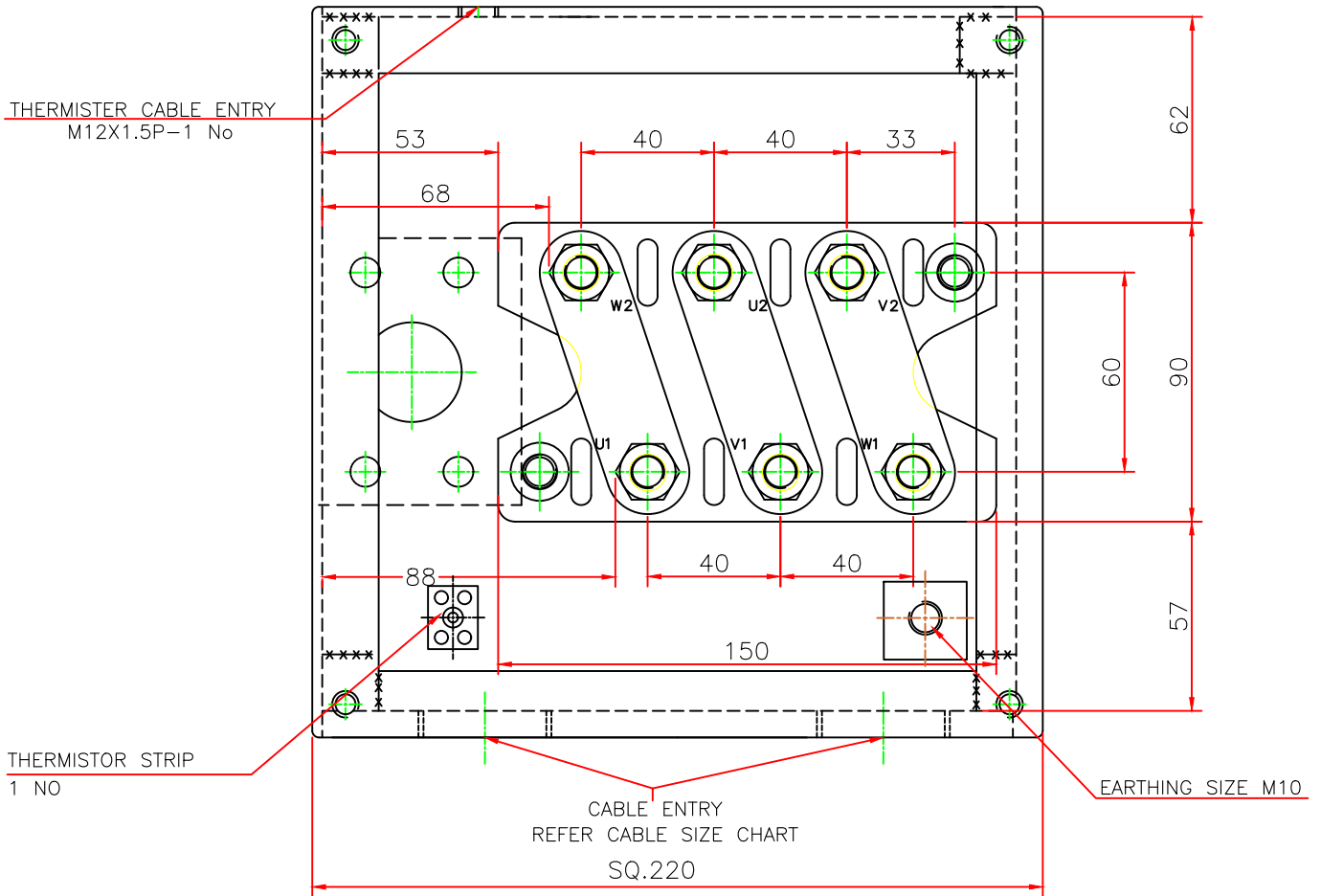
**KIRLOSKAR OIL ENGINES LTD.**  
ELECTRIC MOTORS

DO NOT SCALE  
FORMAT NO.:KM-GA-2021 R0

DRAWING NO  
**KM250MB3TS\_2PRO**



# TERMINAL ARRANGEMENT DRAWING



ALL DIMENSIONS ARE IN mm

	NAME	DATE	kW	FRAME	KM225/KM250
DRAWN	SGS	05/01/2023	POLE	CUSTOMER	
CHECKED	SGS	05/01/2023	PRODUCT CODE	PO NO	
APPROVED	SSN	05/01/2023	MAX. CABLE SIZE	CLIENT	
			CABLE ENTRY	M50X1.5P-2NOS.	PROJECT
KIRLOSKAR OIL ENGINES LTD. ELECTRIC MOTORS			DO NOT SCALE FORMAT NO.:KM-TB-2021 R0		DRAWING NO KM225TBRO