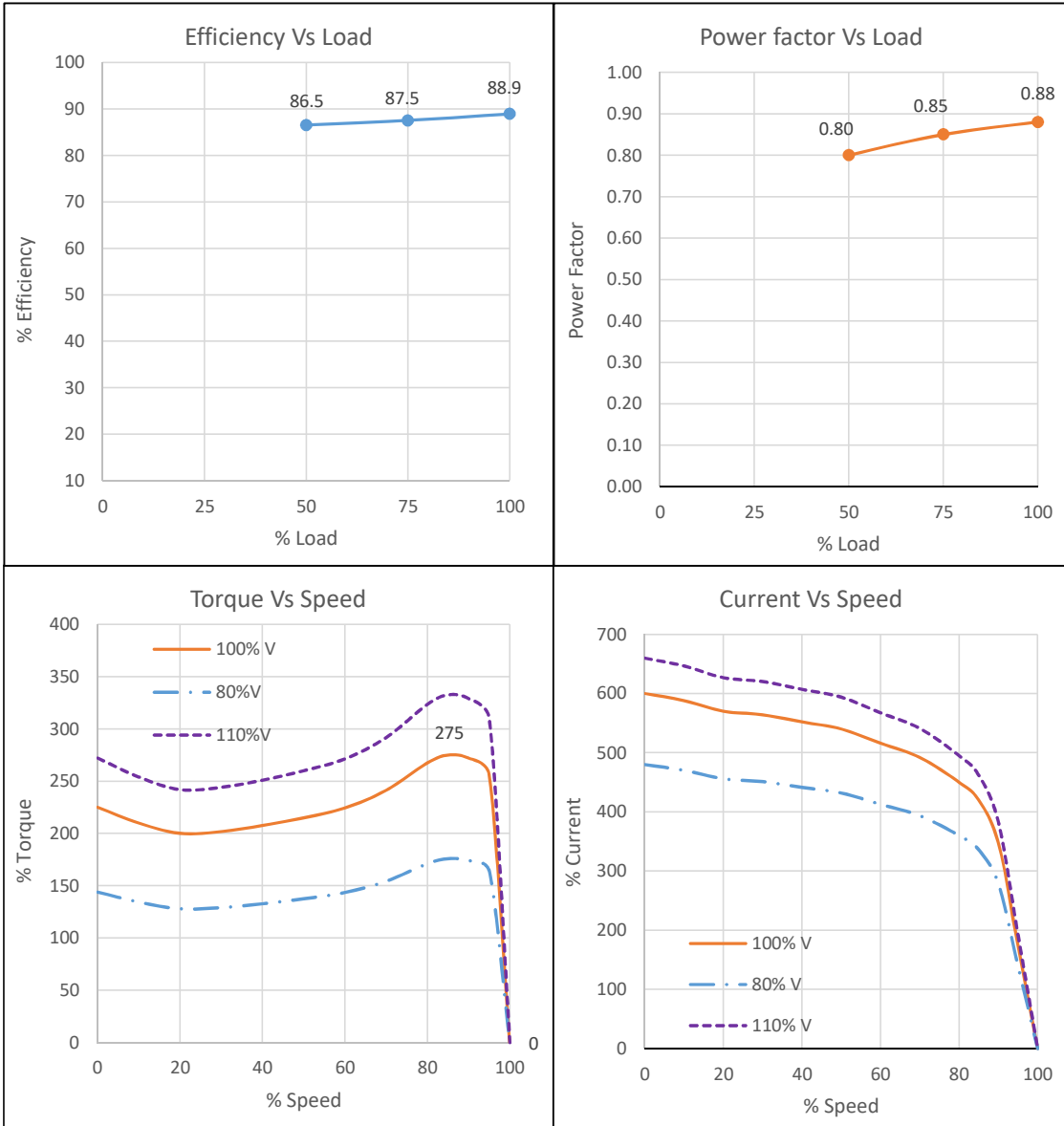


**IE2****TECHNICAL DATASHEET  
3 PHASE INDUCTION MOTOR****kirloskar  
motors**

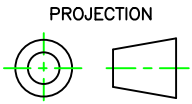
Sr No	Parameter	Unit	Data
<b>Product Specifications</b>			
1	Rated Output	kW	9.3
2	Number of Poles	No	2
3	Frame Designation		KM160M
4	Product Code		KM2.9T30.ALC.B35.TSS
5	Mounting		B35
<b>Electrical</b>			
6	Type of Duty		Continuous S1
7	Rated Voltage	V	415 ±10%
8	Rated Frequency	Hz	50 ±5%
9	Rated Speed	RPM	2920
10	Rated Current	A	17
11	Method of Starting		Direct On Line
12	Starting Current (SCC)	% of FLA	600
13	Rated Torque	Kg-m	3.10
14	Starting Torque (STT)	% of FLT	225
15	Maximum Torque (POT)	% of FLT	275
16	Efficiency at 100% / 75% / 50% load	%	88.9 / 87.5/ 86.5
17	Power factor at 100% / 75% / 50% load		0.88 / 0.85 / 0.8
18	Thermal Withstand Time (Hot)	s	10
19	Thermal Withstand Time (Cold)	s	20
20	Thermal Time Constant (Stator)	min	40
21	Connection / Number of Terminals		Delta / 6
22	Permissible Starts/hour (Hot/Cold)	Nos	2/3
23	Insulation Class / Thermal Limit		F/B
24	Winding Treatment		VPI, Dual Coat Copper Wire
<b>Mechanical</b>			
25	Degree of Protection		IP55
26	Enclosure / MOC /Method of Cooling		TEFC / CI/ IC411
27	Bearing DE/NDE		6309ZZ/6309ZZ
28	Type of Coupling		Direct/Flexible
29	Noise Level		As per IS12065
30	Vibration Level		As per IS12075
31	Moment of Inertia GD <sup>2</sup>	kg-m <sup>2</sup>	0.14
32	Position of Terminal Box		TOP
33	Maximum Cable Size		2X3CX25 mm <sup>2</sup>
34	Direction of Rotation		Bidirectional ( Default: CW from DE)
35	Paint Shade		RAL 7046- Telegrey
36	Net weight	kg	105
37	Accessories		NA
<b>Enviromental</b>			
38	Ambient Temperature /Temperature Rise	°C	50 / 70 (By resistance method)
39	Altitude Above MSL	m	≤ 1000
<b>Notes:</b> All performance data shall be subject to tolerances as per IS15999/IEC 60034. Applicable Standards:IS 12615-2018, IS 15999-1			
Customer		PO No./ Enq. No	
		Date	
Checked	BMD	22/10/2022	
Approved	SSN	22/10/2022	Document No: KM2-001 Rev.0
<b>KIRLOSKAR OIL ENGINES LTD.</b>			
<b>ELECTRIC MOTORS</b>			

# PERFORMANCE CURVE

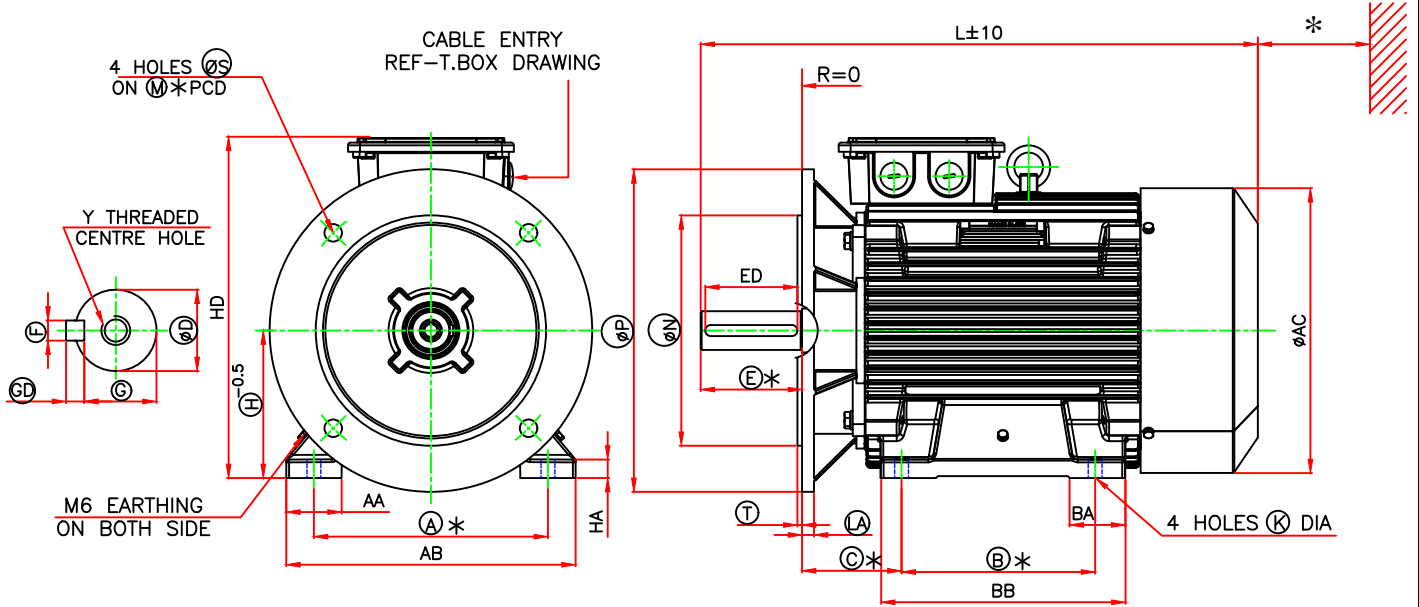


kW	9.3	Customer	
Pole	2	PO No / Enq. No	
Frame	KM160M	Date	
Mounting	B35	Product Code	KM2.9T30.ALC.B35.TSS
Checked	BMD	22/10/2022	
Approved	SSN	22/10/2022	Document No KM2-002 Rev. 0

KIRLOSKAR OIL ENGINES LTD.  
ELECTRIC MOTORS



# GENERAL ARRANGEMENT DRAWING FOR TEFC 3 PHASE INDUCTION MOTOR



FRAME	FOOT FIXING									FLANGE FIXING					
	A	B	C	H TOL.	AA	AB	BA	BB	K TOL.	MTol	NTol	P	S	T	LA
KM160M	254	210	108	160/159.5	60	314	60	266	15/15.5	300	250.016/249.987	350	19	5	13

D END SHAFT EXTENSION AND KEY								OVER ALL			
D TOL.	E	ED	F TOL.	GD TOL.	G	Y	AC	L	HD	HA	
42.018/42.002	110	100	12/11.957	8.0/7.9	37.0/36.9	M16X32	309	600	382	20	

kW	PRODUCT CODE		PRODUCT CODE
	2 POLE	4 POLE	6 POLE
9.3	KM2.9T30.ALC.B35.TSS	KM2.9T30.BLC.B35.TSS	--
7.5	--	--	KM2.7T50.CLC.B35.TSS

## NOTES:

- ONE EARTHING TERMINAL IS PROVIDED INSIDE MAIN TERMINAL BOX.
- \* 100mm MINIMUM DISTANCE TO BE MAINTAINED FOR EFFICIENT COOLING OF THE MOTOR.
- \* TOLERANCES ON MANDATORY DIMENSIONS ARE AS PER IS:1231/IS:2223/IEC:60072

RINGED DIMENSIONS ARE AS PER IS:1231/IS:2223/IEC:60072-1

ALL DIMENSIONS ARE IN mm,

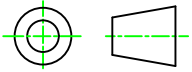
	NAME	DATE	kW	REFER TABLE	FRAME	KM160M
DRAWN	SGS	18/08/2022	POLE	REFER TABLE	MOUNTING	B35 (HORIZONTAL FOOT CUM FLANGE)
CHECKED	SGS	18/08/2022	PRODUCT CODE	REFER TABLE	CUSTOMER	
APPROVED	SSN	18/08/2022	MAX. CABLE SIZE	2RX3CX25MM <sup>2</sup>	PO NO	
			PROJECT		CLIENT	

KIRLOSKAR OIL ENGINES LTD.  
ELECTRIC MOTORS

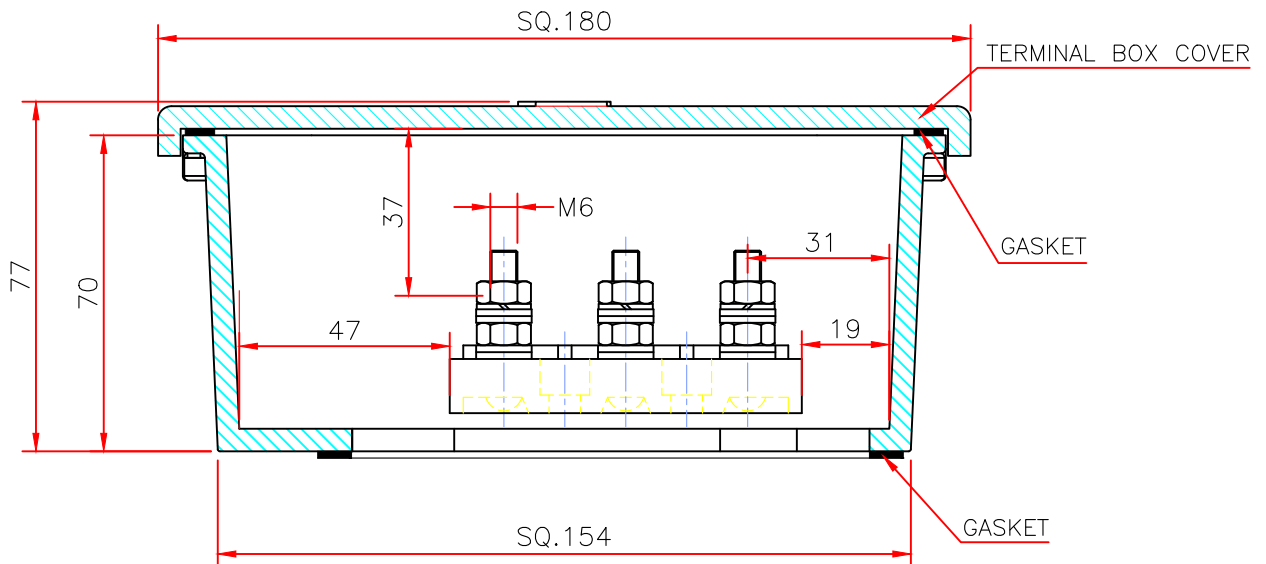
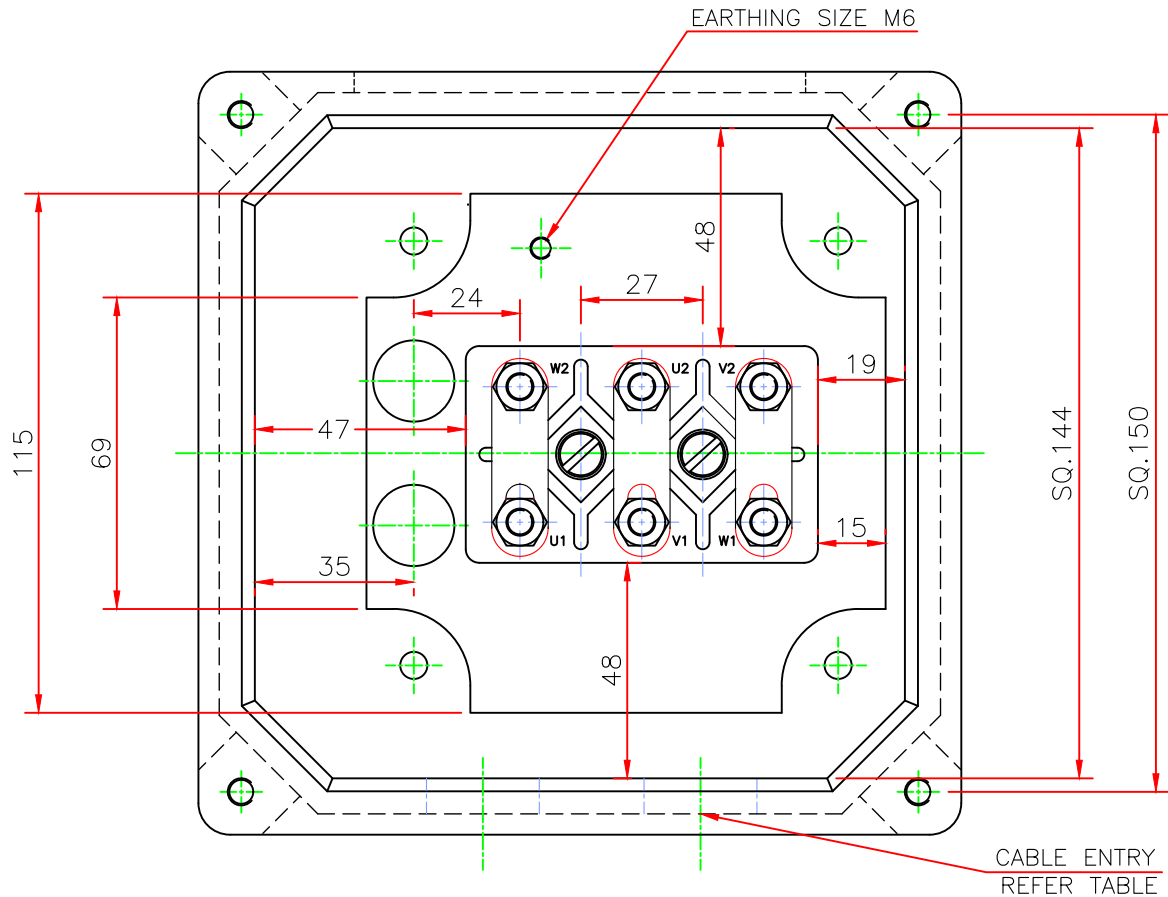
DO NOT SCALE  
FORMAT NO.:KM-GA-2021 R0

DRAWING NO  
KM160MB35TSR0

PROJECTION



# TERMINAL ARRANGEMENT DRAWING



ALL DIMENSIONS ARE IN mm

	NAME	DATE	kW	FRAME	KM160M/L
DRAWN	SGS	23/12/2021	POLE	CUSTOMER	
CHECKED	SGS	23/12/2021	PRODUCT CODE	PO NO	
APPROVED	SSN	23/12/2021	MAX. CABLE SIZE	CLIENT	
			CABLE ENTRY	PROJECT	
			2R3CX25MM <sup>2</sup>	M25X1.5P-2NOS.	
KIRLOSKAR OIL ENGINES LTD. ELECTRIC MOTORS			DO NOT SCALE	FORMAT NO.:KM-TB-2021 R0	DRAWING NO KM160TBR1