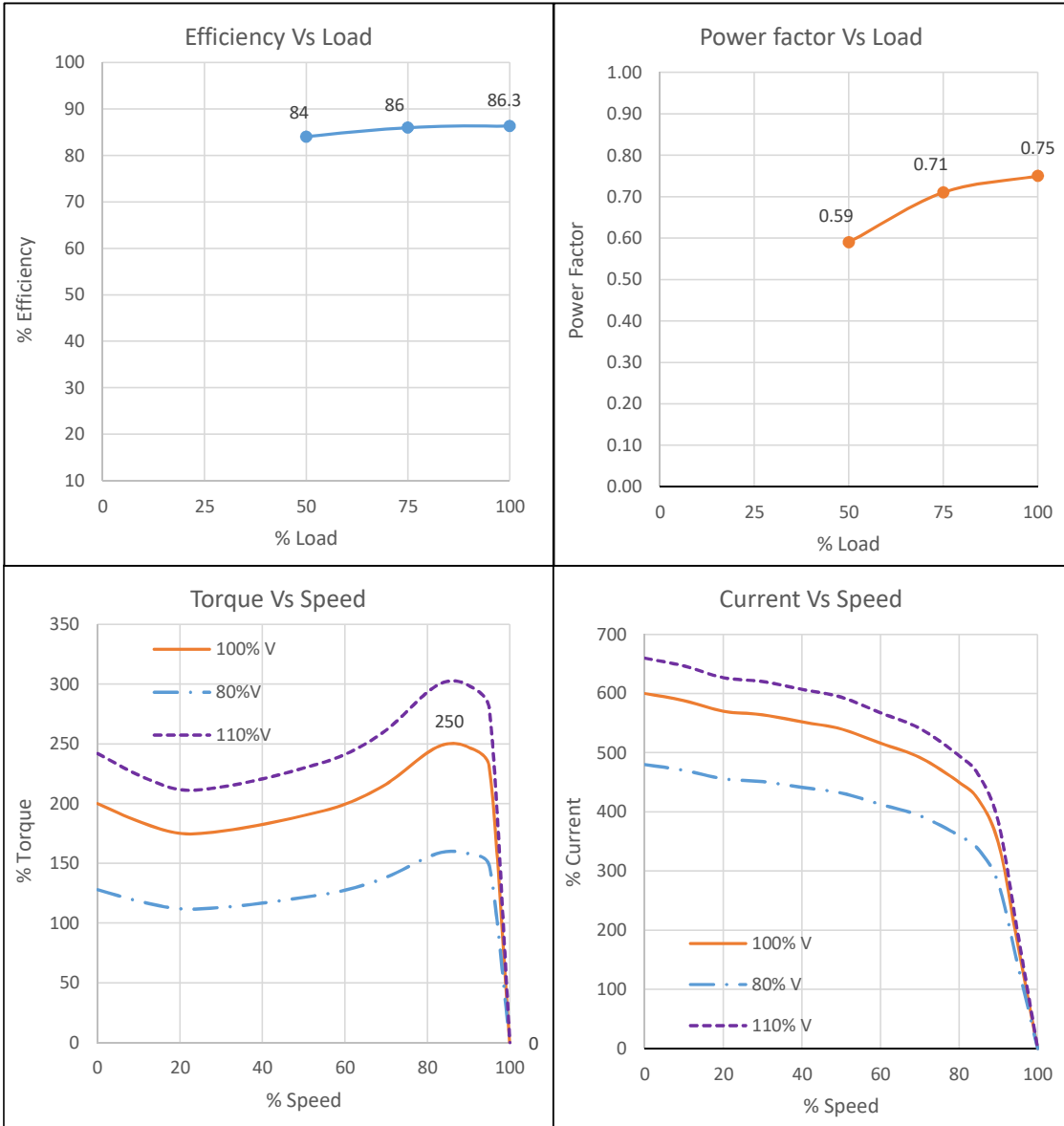


IE2**TECHNICAL DATASHEET
3 PHASE INDUCTION MOTOR****kirloskar
motors**

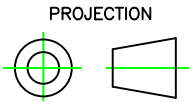
Sr No	Parameter	Unit	Data
Product Specifications			
1	Rated Output	kW	3.7
2	Number of Poles	No	4
3	Frame Designation		KM112M
4	Product Code		KM2.3T70.BJA.B05.TSS
5	Mounting		B5
Electrical			
6	Type of Duty		Continuous S1
7	Rated Voltage	V	415 ±10%
8	Rated Frequency	Hz	50 ±5%
9	Rated Speed	RPM	1450
10	Rated Current	A	8.0
11	Method of Starting		Direct On Line
12	Starting Current (SCC)	% of FLA	600
13	Rated Torque	Kg-m	2.49
14	Starting Torque (STT)	% of FLT	200
15	Maximum Torque (POT)	% of FLT	250
16	Efficiency at 100% / 75% / 50% load	%	86.3 / 86 / 84
17	Power factor at 100% / 75% / 50% load		0.75 / 0.71 / 0.59
18	Thermal Withstand Time (Hot)	s	6
19	Thermal Withstand Time (Cold)	s	12
20	Thermal Time Constant (Stator)	min	30
21	Connection / Number of Terminals		Delta / 6
22	Permissible Starts/hour (Hot/Cold)	Nos	2/3
23	Insulation Class / Thermal Limit		F/B
24	Winding Treatment		VPI, Dual Coat Copper Wire
Mechanical			
25	Degree of Protection		IP55
26	Enclosure / MOC /Method of Cooling		TEFC / AL/ IC411
27	Bearing DE/NDE		6306ZZ/6306ZZ
28	Type of Coupling		Direct/Flexible
29	Noise Level		As per IS12065
30	Vibration Level		As per IS12075
31	Moment of Inertia GD ²	kg-m ²	0.0441
32	Position of Terminal Box		TOP
33	Maximum Cable Size		2X3CX10 mm ²
34	Direction of Rotation		Bidirectional (Default: CW from DE)
35	Paint Shade		RAL 7046- Telegrey
36	Net weight	kg	30.00
37	Accessories		NA
Enviromental			
38	Ambient Temperature /Temperature Rise	°C	50 / 70 (By resistance method)
39	Altitude Above MSL	m	≤ 1000
Notes: All performance data shall be subject to tolerances as per IS15999/IEC 60034. Applicable Standards:IS 12615-2018, IS 15999-1			
Customer		PO No./ Enq. No	
		Date	
Checked	BMD	27/10/2022	
Approved	SSN	27/10/2022	Document No: KM2-001 Rev.0
KIRLOSKAR OIL ENGINES LTD.			
ELECTRIC MOTORS			

PERFORMANCE CURVE

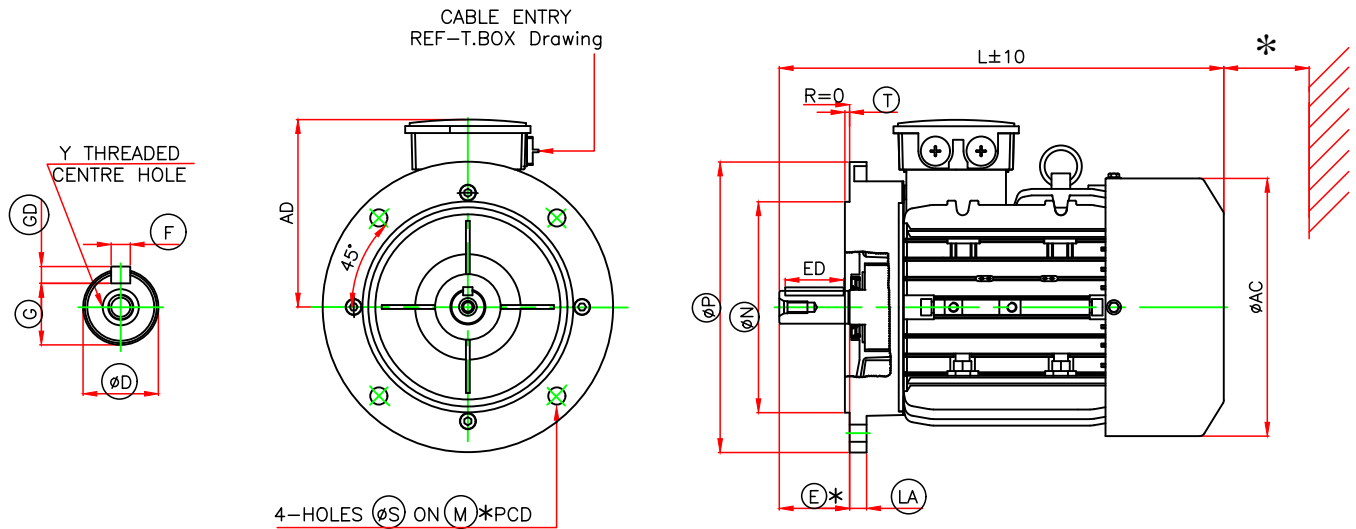


kW	3.7	Customer	
Pole	4	PO No / Enq. No	
Frame	KM112M	Date	
Mounting	B5	Product Code	KM2.3T70.BJA.B05.TSS
Checked	BMD	27/10/2022	
Approved	SSN	27/10/2022	Document No KM2-002 Rev. 0

KIRLOSKAR OIL ENGINES LTD.
ELECTRIC MOTORS



GENERAL ARRANGEMENT DRAWING FOR TEFC 3 PHASE INDUCTION MOTOR



FRAME	FLANGE FIXING						OVER ALL		
	M TOL.	N TOL.	P	S	T	LA	AC	L	AD
KM112M	215	180.014/179.989	250	15	4	11	220	380	147

D END SHAFT EXTENSION AND KEY						
D TOL.	E	ED	F TOL.	GD TOL.	G	Y
28.009/27.996	60	50	8/7.964	7.0/6.9	24.0/23.9	M10X24

kW	PRODUCT CODE	PRODUCT CODE	PRODUCT CODE	PRODUCT CODE
	2 POLE	4 POLE	6 POLE	8 POLE
1.5	--	--	--	KM2.1T50.DJA.B05.TSS
2.2	--	--	KM2.2T20.CJA.B05.TSS	--
3.7	--	KM2.3T70.BJA.B05.TSS	--	--
4.0	KM2.4T00.AJA.B05.TSS	KM2.4T00.BJA.B05.TSS	--	--

NOTES:

- ONE EARTHING TERMINAL IS PROVIDED INSIDE MAIN TERMINAL BOX.
- * 80mm MINIMUM DISTANCE TO BE MAINTAINED FOR EFFICIENT COOLING OF THE MOTOR.
- * TOLERANCES ON MANDATORY DIMENSIONS ARE AS PER IS:2223/IEC:60072

RINGED DIMENSIONS ARE AS PER IS:2223/IEC:60072

ALL DIMENSIONS ARE IN mm,

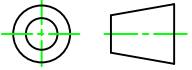
	NAME	DATE	kW	REFER TABLE	FRAME	KM112M
DRAWN	KSK	20/10/2022	POLE	REFER TABLE	MOUNTING	B05 (HORIZONTAL FLANGE)
CHECKED	SGS	20/10/2022	PRODUCT CODE	REFER TABLE	CUSTOMER	
APPROVED	SSN	20/10/2022	MAX. CABLE SIZE	2RX3CX10MM ²	PO NO	
			PROJECT		CLIENT	

KIRLOSKAR OIL ENGINES LTD.
ELECTRIC MOTORS

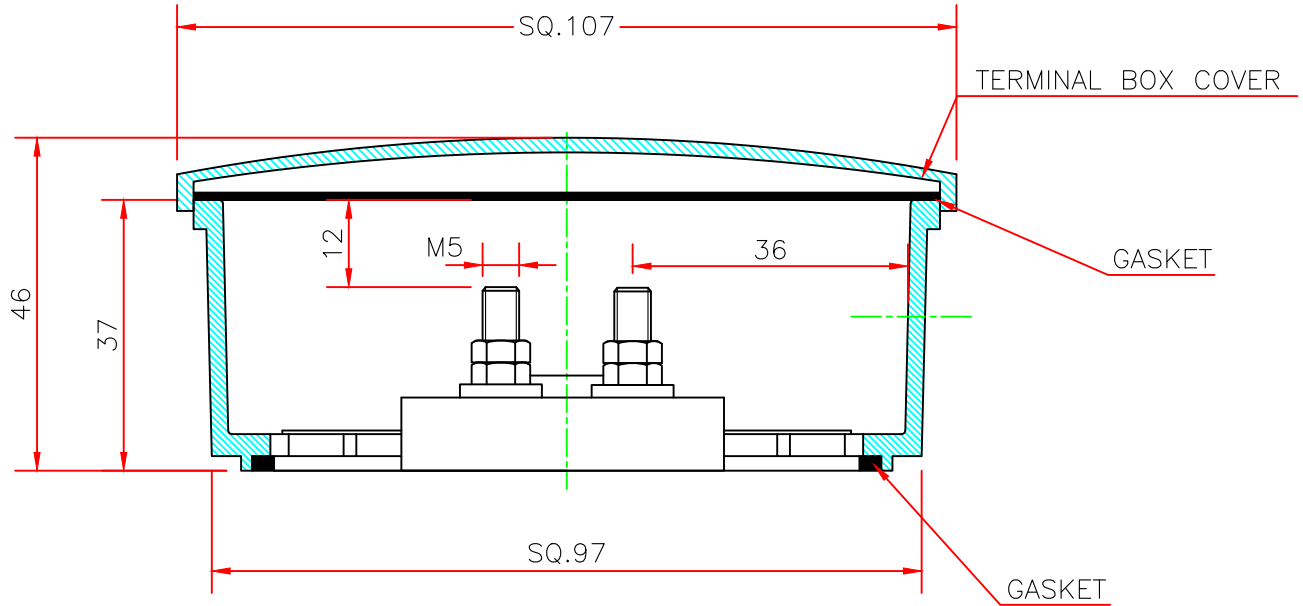
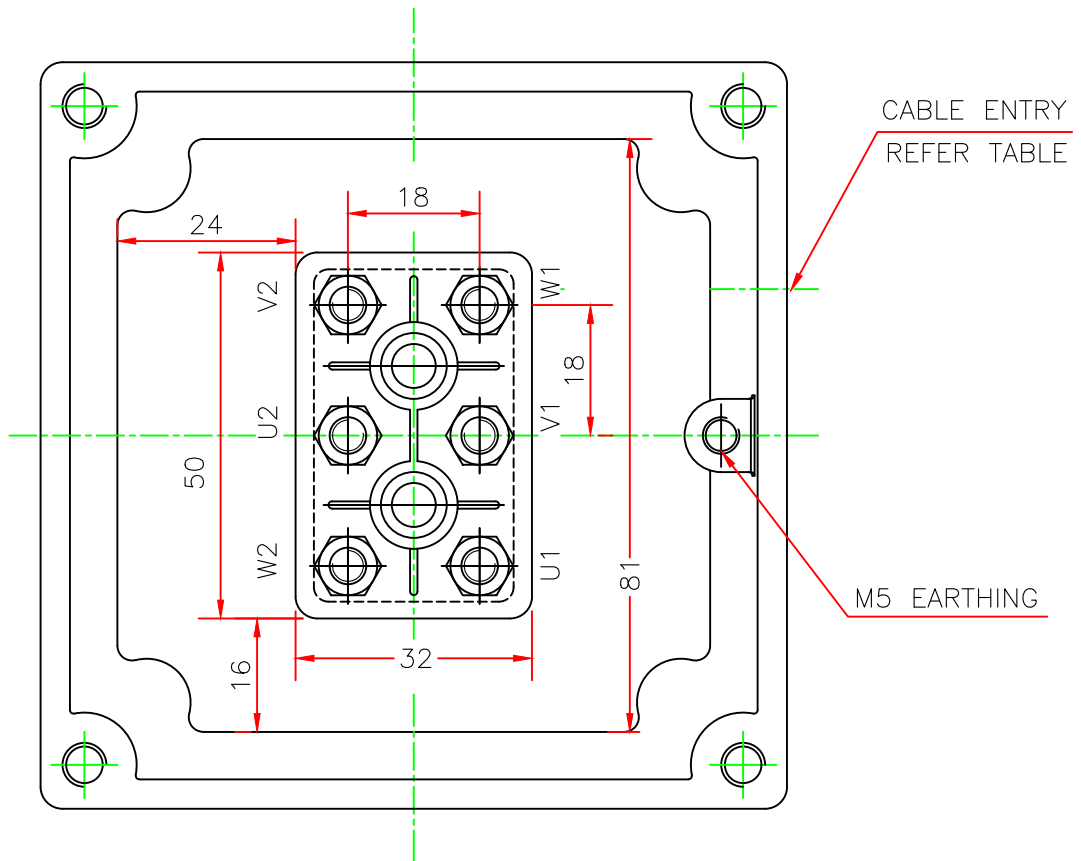
DO NOT SCALE
FORMAT NO.:KM-GA-2021 R0

DRAWING NO
KM112MB5TSALR0

PROJECTION



TERMINAL ARRANGEMENT DRAWING



ALL DIMENSIONS ARE IN mm

	NAME	DATE	kW		FRAME	KM112M
DRAWN	SGS	24/12/2021	POLE		CUSTOMER	
CHECKED	SGS	24/12/2021	PRODUCT CODE		PO NO	
APPROVED	SSN	24/12/2021	MAX. CABLE SIZE	2RX3CX10MM ²	CLIENT	
			CABLE ENTRY	M25X1.5P-2NOS.	PROJECT	
KIRLOSKAR OIL ENGINES LTD. ELECTRIC MOTORS				DO NOT SCALE FORMAT NO.:KM-TB-2021 R0	DRAWING NO KM112TBR1	