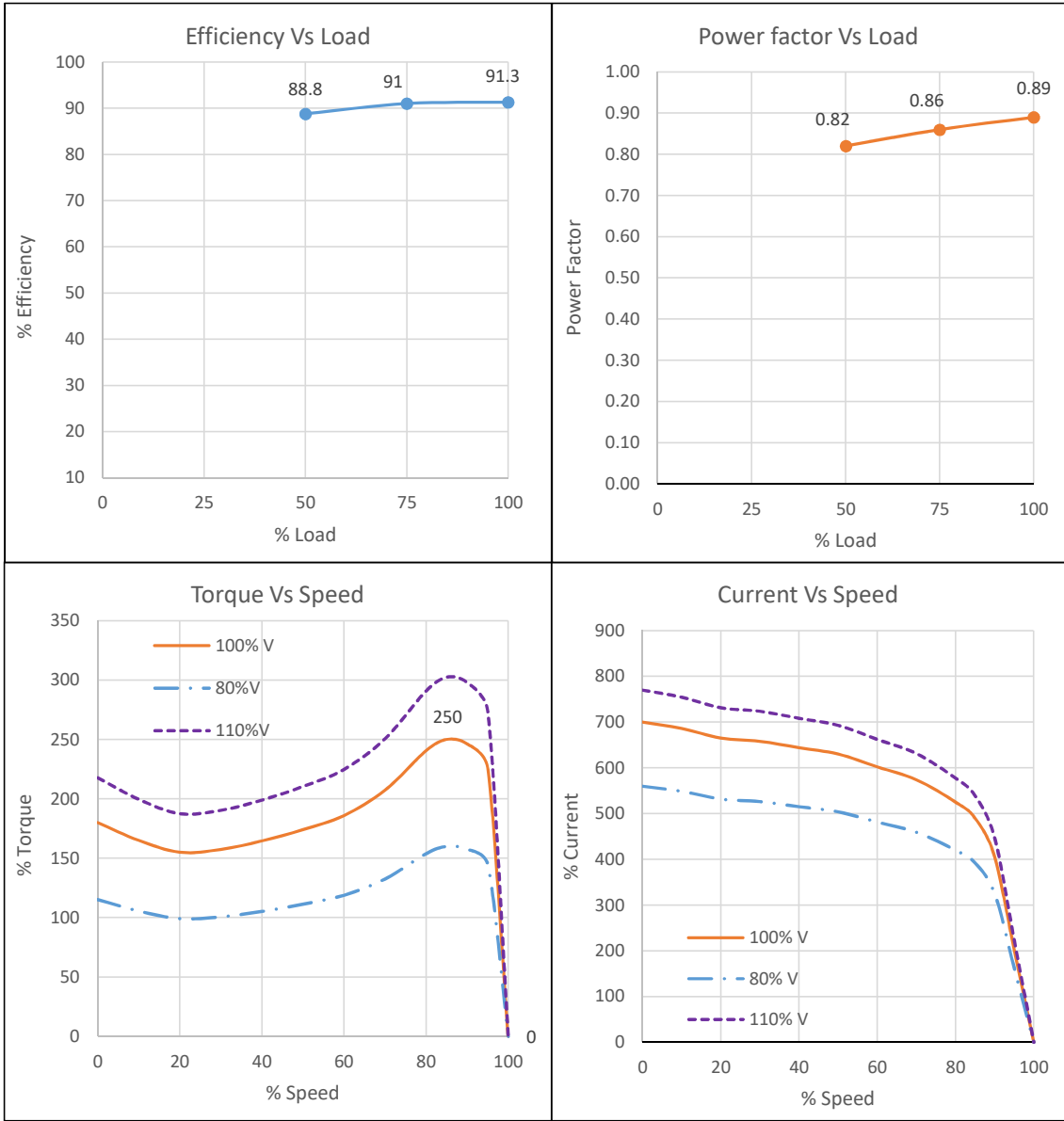


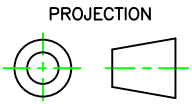
IE2**TECHNICAL DATASHEET
3 PHASE INDUCTION MOTOR****kirloskar
motors**

Sr No	Parameter	Unit	Data
Product Specifications			
1	Rated Output	kW	22
2	Number of Poles	No	2
3	Frame Designation		KM180M
4	Product Code		KM2.22T0.AMC.B35.TSS
5	Mounting		B35
Electrical			
6	Type of Duty		Continuous S1
7	Rated Voltage	V	415 ±10%
8	Rated Frequency	Hz	50 ±5%
9	Rated Speed	RPM	2960
10	Rated Current	A	38
11	Method of Starting		Direct On Line
12	Starting Current (SCC)	% of FLA	700
13	Rated Torque	Kg-m	7.23
14	Starting Torque (STT)	% of FLT	180
15	Maximum Torque (POT)	% of FLT	250
16	Efficiency at 100% / 75% / 50% load	%	91.3 / 91 / 88.8
17	Power factor at 100% / 75% / 50% load		0.89 / 0.86 / 0.82
18	Thermal Withstand Time (Hot)	s	10
19	Thermal Withstand Time (Cold)	s	20
20	Thermal Time Constant (Stator)	min	40
21	Connection / Number of Terminals		Delta / 6
22	Permissible Starts/hour (Hot/Cold)	Nos	2/3
23	Insulation Class / Thermal Limit		F/B
24	Winding Treatment		VPI, Dual Coat Copper Wire
Mechanical			
25	Degree of Protection		IP55
26	Enclosure / MOC /Method of Cooling		TEFC / CI/ IC411
27	Bearing DE/NDE		6310ZZ/6310ZZ
28	Type of Coupling		Direct/Flexible
29	Noise Level		As per IS12065
30	Vibration Level		As per IS12075
31	GD ²	kg-m ²	0.47
32	Position of Terminal Box		TOP
33	Maximum Cable Size		2X3CX50 mm ²
34	Direction of Rotation		Bidirectional (Default: CW from DE)
35	Paint Shade		RAL 7046- Telegrey
36	Net weight	kg	185
37	Accessories		PTC 130 - 3 Nos (1 No / phase)
Enviromental			
38	Ambient Temperature /Temperature Rise	°C	50 / 70 (By resistance method)
39	Altitude Above MSL	m	≤ 1000
Notes: All performance data shall be subject to tolerances as per IS15999/IEC 60034. Applicable Standards:IS 12615-2018, IS 15999-1			
Customer		PO No./ Enq. No	
		Date	
Checked	BMD	13-06-2022	
Approved	SSN	13-06-2022	Document No: KM2-001 Rev.0
KIRLOSKAR OIL ENGINES LTD.			
ELECTRIC MOTORS			

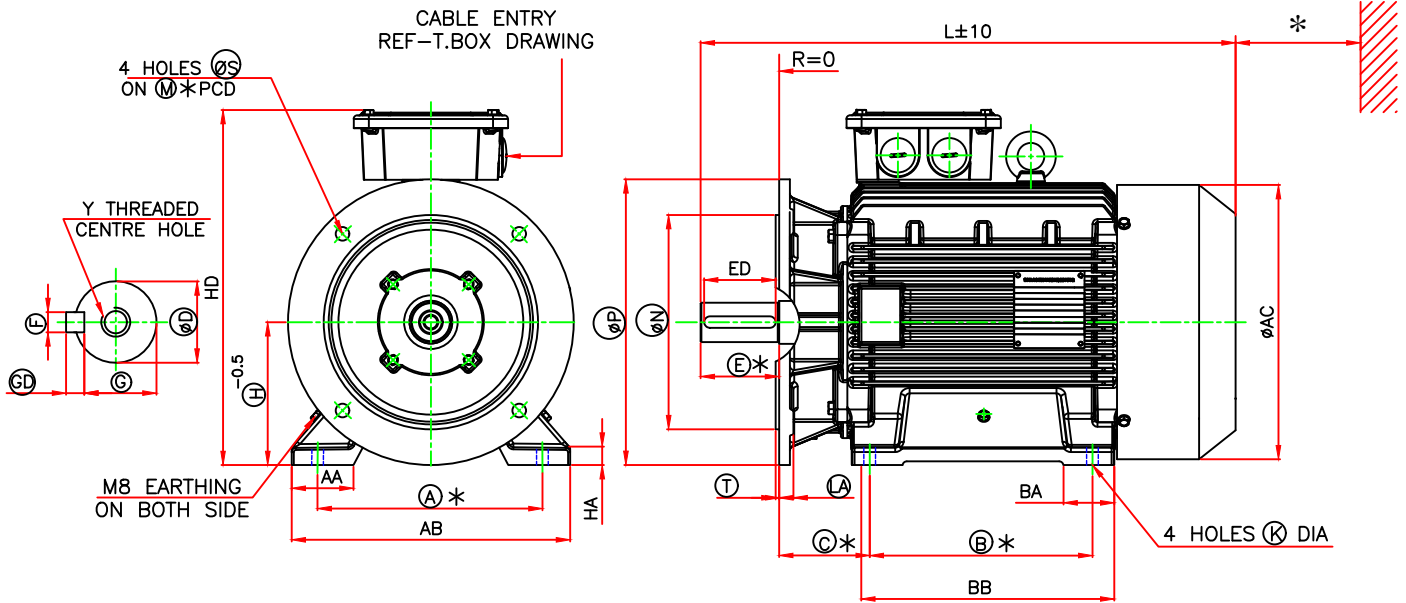
PERFORMANCE CURVE



kW	22	Customer	
Pole	2	PO No / Enq. No	
Frame	KM180M	Date	
Mounting	B35	Product Code	KM2.22T0.AMC.B35.TSS
Checked	BMD	13-06-2022	
Approved	SSN	13-06-2022	Document No KM2-002 Rev. 0
KIRLOSKAR OIL ENGINES LTD. ELECTRIC MOTORS			



GENERAL ARRANGEMENT DRAWING FOR TEFC 3 PHASE INDUCTION MOTOR



FRAME	FOOT FIXING									FLANGE FIXING					
	A	B	C	H TOL.	AA	AB	BA	BB	K TOL.	MTol	NTol	P	S	T	LA
KM180M	279	241	121	180/179.5	62	330	97	325	15/15.5	300	250.016/249.987	350	19	5	15

D END SHAFT EXTENSION AND KEY							OVER ALL				
D TOL.	E	ED	F TOL.	GD TOL.	G	Y	AC	L	HD	HA	
48.018/48.002	110	100	14/13.957	9.0/8.9	42.5/42.4	M16X32	349	690	457	20	

kW	PRODUCT CODE	
	2 POLE	4 POLE
22	KM2.22T0.AMC.B35.TSS	--
18.5	--	KM2.18T5.BMC.B35.TSS

NOTES:

- ONE EARTHING TERMINAL IS PROVIDED INSIDE MAIN TERMINAL BOX.
- * 100mm MINIMUM DISTANCE TO BE MAINTAINED FOR EFFICIENT COOLING OF THE MOTOR.
- * TOLERANCES ON MANDATORY DIMENSIONS ARE AS PER IS:1231/IS:2223/IEC:60072

RINGED DIMENSIONS ARE AS PER IS:1231/IS:2223/IEC:60072-1

ALL DIMENSIONS ARE IN mm.

	NAME	DATE	kW	REFER TABLE	FRAME	KM180M
DRAWN	SGS	18/08/2022	POLE	REFER TABLE	MOUNTING	B35 (HORIZONTAL FOOT CUM FLANGE)
CHECKED	SGS	18/08/2022	PRODUCT CODE	REFER TABLE	CUSTOMER	
APPROVED	SSN	18/08/2022	MAX. CABLE SIZE	2RX3CX50MM ²	PO NO	
			PROJECT		CLIENT	

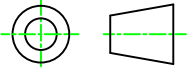
KIRLOSKAR OIL ENGINES LTD.
ELECTRIC MOTORS

DO NOT SCALE
FORMAT NO.:KM-GA-2021 R0

DRAWING NO
KM180MB35TSR0

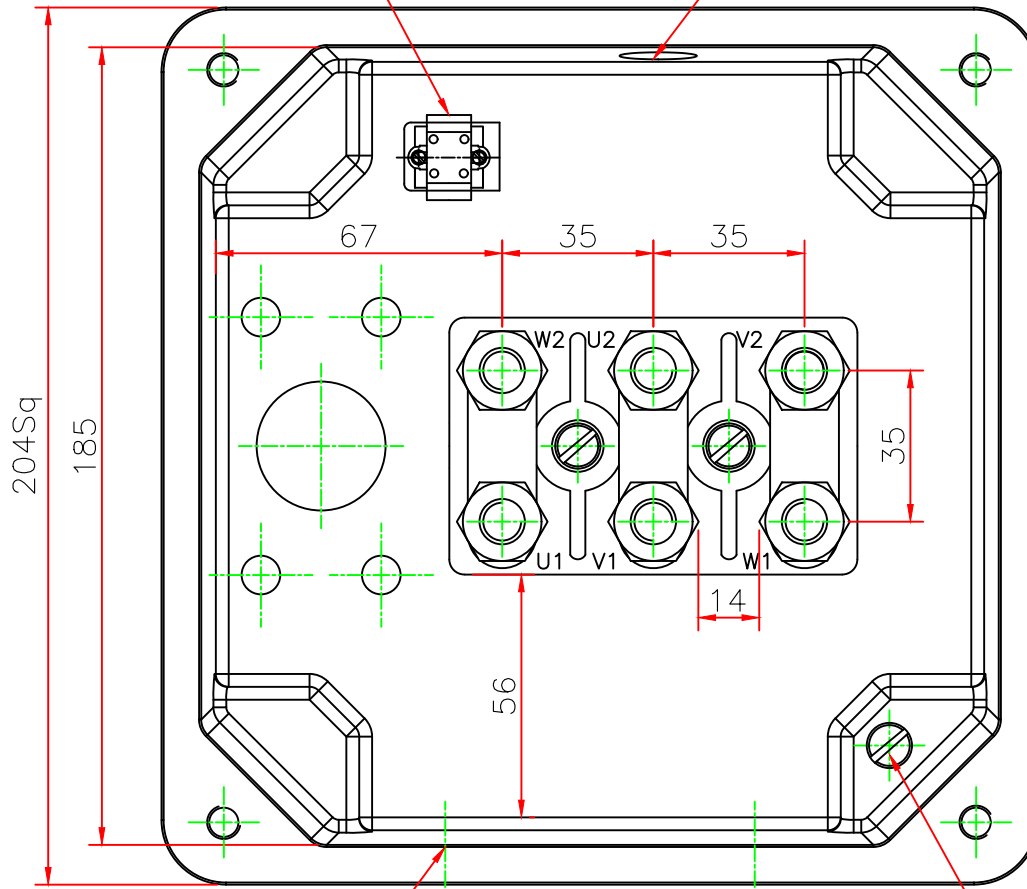
TERMINAL ARRANGEMENT DRAWING

PROJECTION



2 PO, 5A
Terminal WAGO Connector

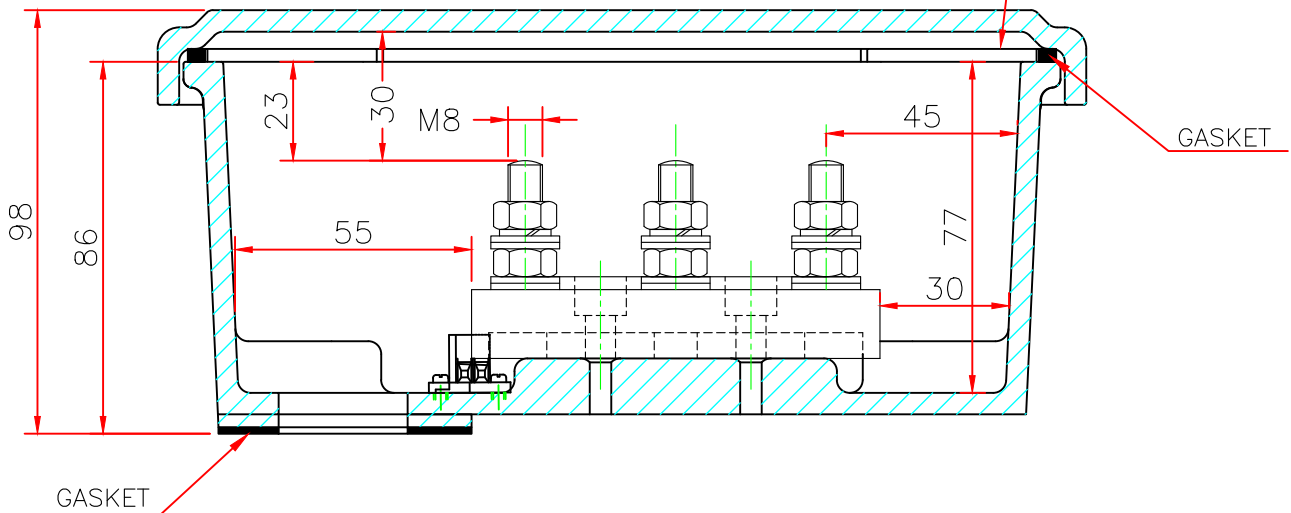
THERMISTOR CABLE
M12X1.5P-1No



CABLE ENTRY
REFER TABLE

EARTHING SIZE M8

TERMINAL BOX COVER



GASKET

GASKET

ALL DIMENSIONS ARE IN mm

	NAME	DATE	kW	FRAME	KM180M/L
DRAWN	SGS	23/12/2021	POLE	CUSTOMER	
CHECKED	SGS	23/12/2021	PRODUCT CODE	PO NO	
APPROVED	SSN	23/12/2021	MAX. CABLE SIZE	CLIENT	
			CABLE ENTRY	PROJECT	

KIRLOSKAR OIL ENGINES LTD.
ELECTRIC MOTORS

DO NOT SCALE
FORMAT NO.:KM-TB-2021 R0

DRAWING NO
KM180TBR1