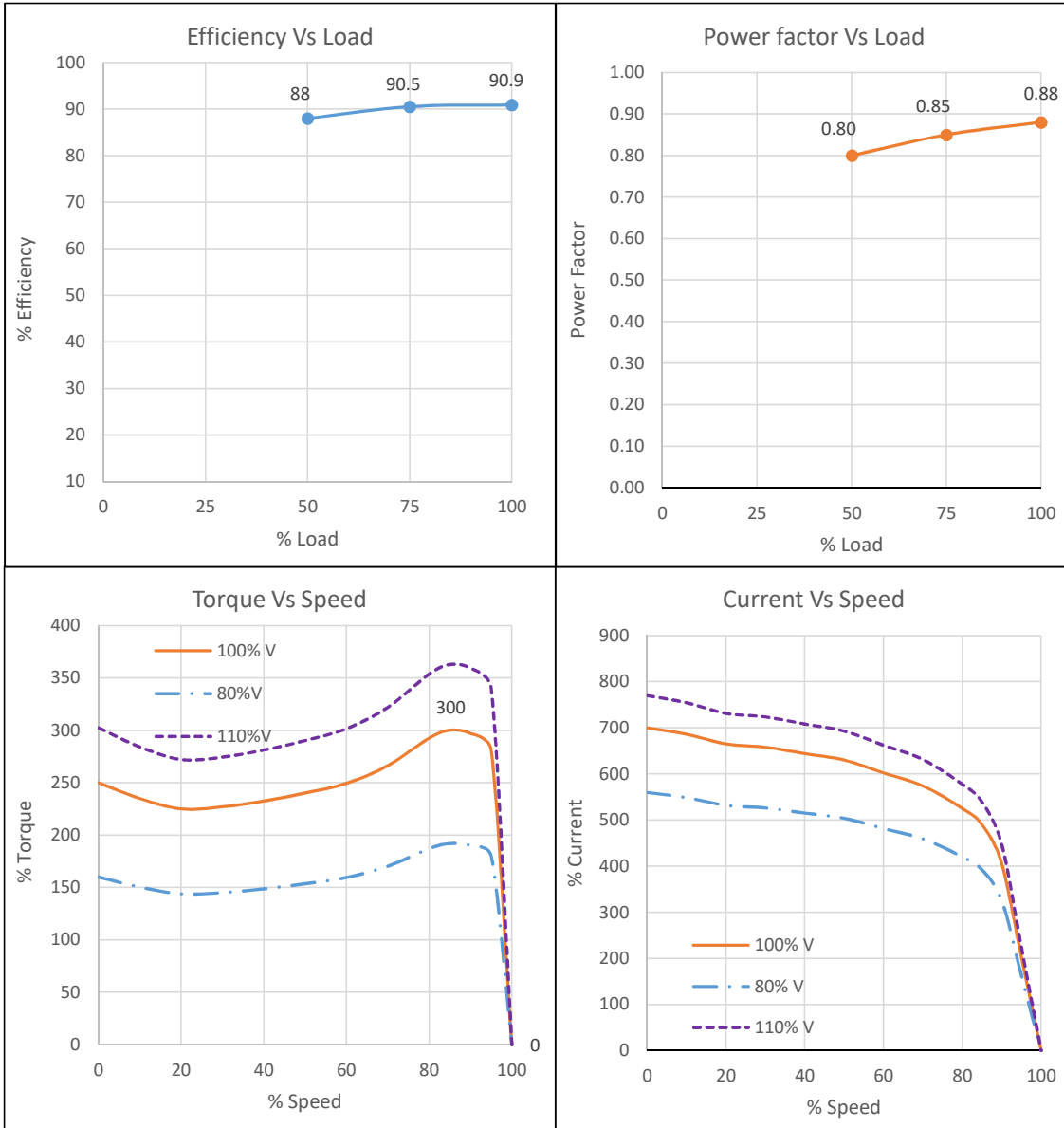


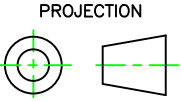
IE2**TECHNICAL DATASHEET
3 PHASE INDUCTION MOTOR****kirloskar
motors**

Sr No	Parameter	Unit	Data
Product Specifications			
1	Rated Output	kW	18.5
2	Number of Poles	No	2
3	Frame Designation		KM160L
4	Product Code		KM2.18T5.ALC.B05.TSS
5	Mounting		B5
Electrical			
6	Type of Duty		Continuous S1
7	Rated Voltage	V	415 ±10%
8	Rated Frequency	Hz	50 ±5%
9	Rated Speed	RPM	2940
10	Rated Current	A	32
11	Method of Starting		Direct On Line
12	Starting Current (SCC)	% of FLA	700
13	Rated Torque	Kg-m	6.13
14	Starting Torque (STT)	% of FLT	250
15	Maximum Torque (POT)	% of FLT	300
16	Efficiency at 100% / 75% / 50% load	%	90.9 / 90.5 / 88
17	Power factor at 100% / 75% / 50% load		0.88 / 0.85 / 0.8
18	Thermal Withstand Time (Hot)	s	10
19	Thermal Withstand Time (Cold)	s	20
20	Thermal Time Constant (Stator)	min	40
21	Connection / Number of Terminals		Delta / 6
22	Permissible Starts/hour (Hot/Cold)	Nos	2/3
23	Insulation Class / Thermal Limit		F/B
24	Winding Treatment		VPI, Dual Coat Copper Wire
Mechanical			
25	Degree of Protection		IP55
26	Enclosure / MOC /Method of Cooling		TEFC / CI/ IC411
27	Bearing DE/NDE		6309ZZ/6309ZZ
28	Type of Coupling		Direct/Flexible
29	Noise Level		As per IS12065
30	Vibration Level		As per IS12075
31	GD ²	kg-m ²	0.25
32	Position of Terminal Box		TOP
33	Maximum Cable Size		2X3CX25 mm ²
34	Direction of Rotation		Bidirectional (Default: CW from DE)
35	Paint Shade		RAL 7046- Telegrey
36	Net weight	kg	135
37	Accessories		NA
Enviromental			
38	Ambient Temperature /Temperature Rise	°C	50 / 70 (By resistance method)
39	Altitude Above MSL	m	≤ 1000
Notes: All performance data shall be subject to tolerances as per IS15999/IEC 60034. Applicable Standards:IS 12615-2018, IS 15999-1			
Customer		PO No./ Enq. No	
		Date	
Checked	BMD	06-06-2022	
Approved	SSN	06-06-2022	Document No: KM2-001 Rev.0
KIRLOSKAR OIL ENGINES LTD.			
ELECTRIC MOTORS			

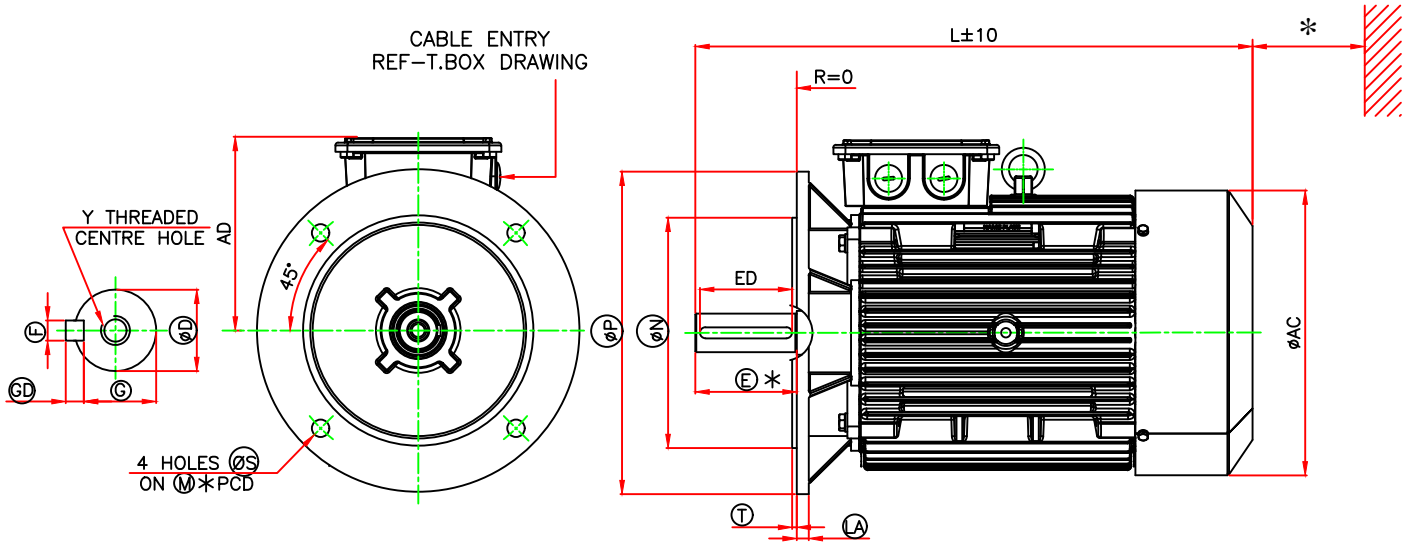
PERFORMANCE CURVE



kW	18.5	Customer	
Pole	2	PO No / Enq. No	
Frame	KM160L	Date	
Mounting	B5	Product Code	KM2.18T5.ALC.B05.TSS
Checked	BMD	06-06-2022	
Approved	SSN	06-06-2022	Document No KM2-002 Rev. 0
KIRLOSKAR OIL ENGINES LTD.			
ELECTRIC MOTORS			



GENERAL ARRANGEMENT DRAWING FOR TEFC 3 PHASE INDUCTION MOTOR



FRAME	FLANGE FIXING						OVER ALL		
	MTol	NTol	P	S	T	LA	AC	L	AD
KM160L	300	250.016/249.987	350	19	5	13	309	644	212

D END SHAFT EXTENSION AND KEY						
D TOL.	E	ED	F TOL.	GD TOL.	G	Y
42.018/42.002	110	100	12/11.957	8.0/7.9	37.0/36.9	M16X32

kW	PRODUCT CODE	PRODUCT CODE	PRODUCT CODE
	2 POLE	4 POLE	6 POLE
18.5	KM2.18T5.ALC.B05.TSS	--	--
15	--	KM2.15T0.BLC.B05.TSS	--
11	--	--	KM2.11T0.CLC.B05.TSS
9.3	--	--	KM2.9T30.CLC.B05.TSS

NOTES:

- ONE EARTHING TERMINAL IS PROVIDED INSIDE MAIN TERMINAL BOX.
- * 100mm MINIMUM DISTANCE TO BE MAINTAINED FOR EFFICIENT COOLING OF THE MOTOR.
- * TOLERANCES ON MANDATORY DIMENSIONS ARE AS PER IS:2223/IEC:60072

RINGED DIMENSIONS ARE AS PER IS:2223/IEC:60072-1

ALL DIMENSIONS ARE IN mm,

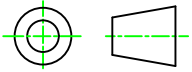
	NAME	DATE	kW	REFER TABLE	FRAME	KM160L
DRAWN	SGS	18/08/2022	POLE	REFER TABLE	MOUNTING	B05 (HORIZONTAL FLANGE)
CHECKED	SGS	18/08/2022	PRODUCT CODE	REFER TABLE	CUSTOMER	
APPROVED	SSN	18/08/2022	MAX. CABLE SIZE	2RX3CX25MM ²	PO NO	
			PROJECT		CLIENT	

KIRLOSKAR OIL ENGINES LTD.
ELECTRIC MOTORS

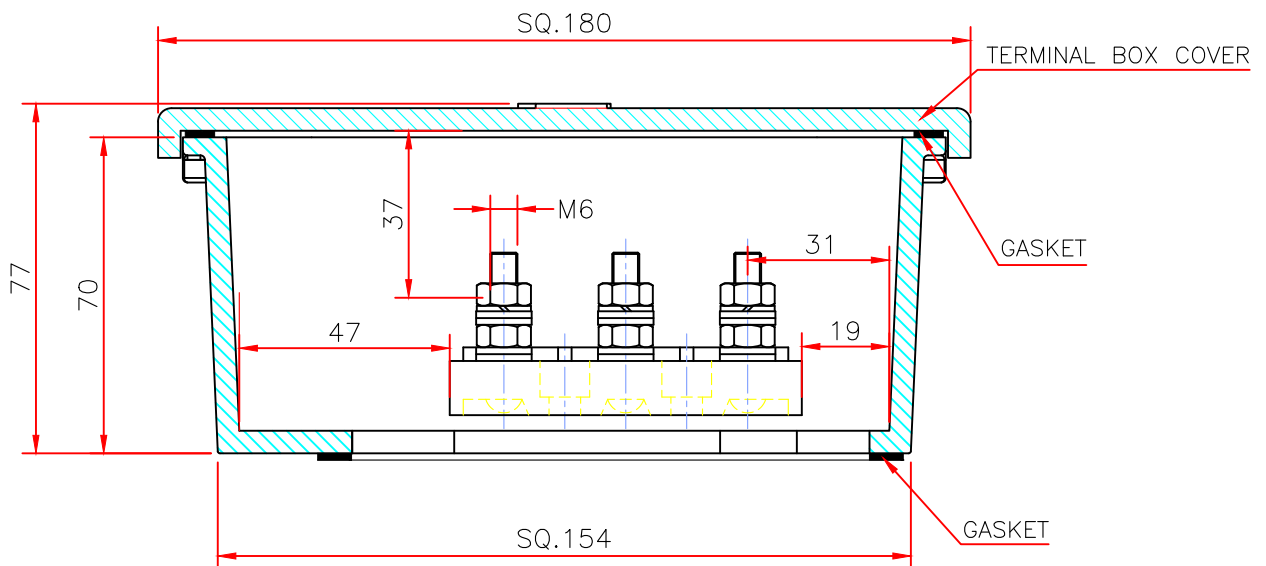
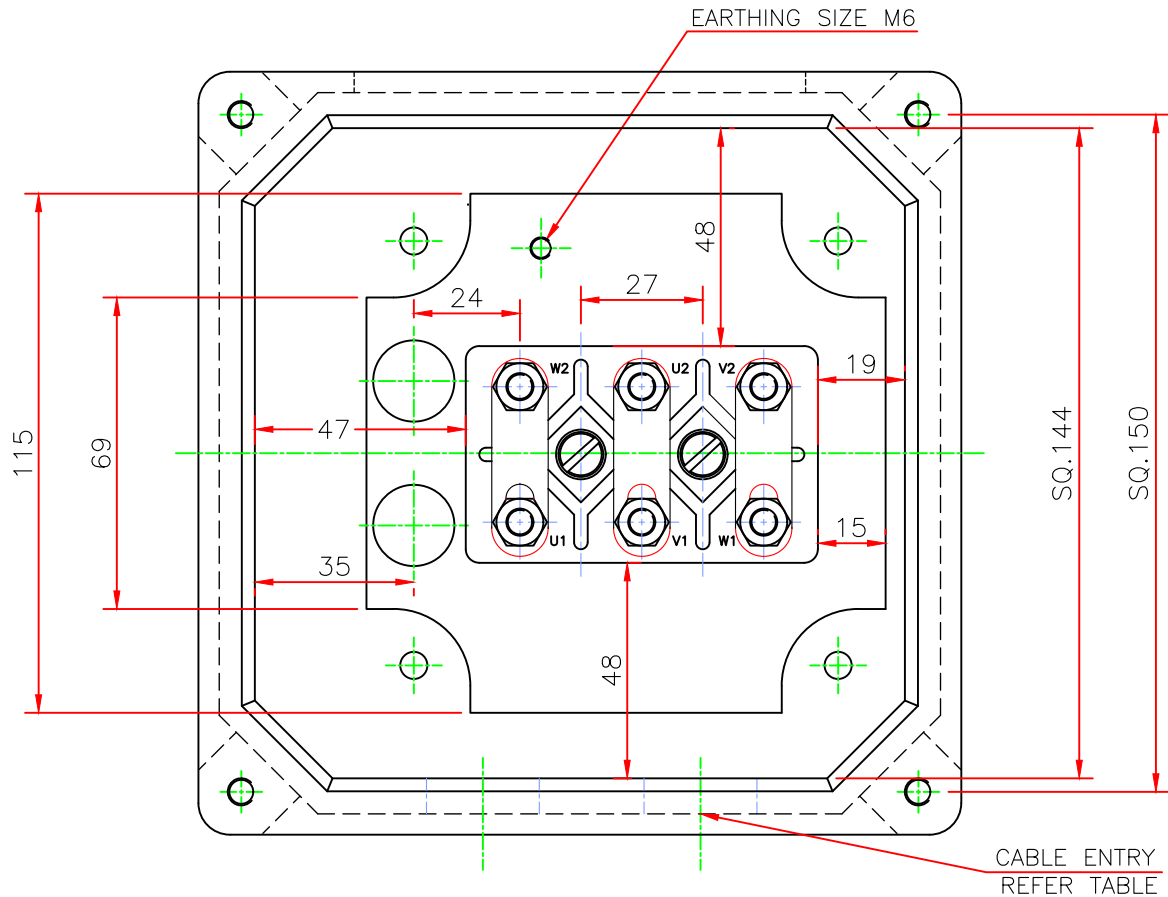
DO NOT SCALE
FORMAT NO.:KM-GA-2021 R0

DRAWING NO
KM160LB5TSR0

PROJECTION



TERMINAL ARRANGEMENT DRAWING



ALL DIMENSIONS ARE IN mm

	NAME	DATE	kW	FRAME	KM160M/L
DRAWN	SGS	23/12/2021	POLE	CUSTOMER	
CHECKED	SGS	23/12/2021	PRODUCT CODE	PO NO	
APPROVED	SSN	23/12/2021	MAX. CABLE SIZE	CLIENT	
			CABLE ENTRY	PROJECT	
				DO NOT SCALE	DRAWING NO
KIRLOSKAR OIL ENGINES LTD.				FORMAT NO.:KM-TB-2021 R0	KM160TBR1
ELECTRIC MOTORS					