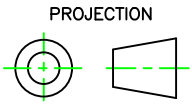
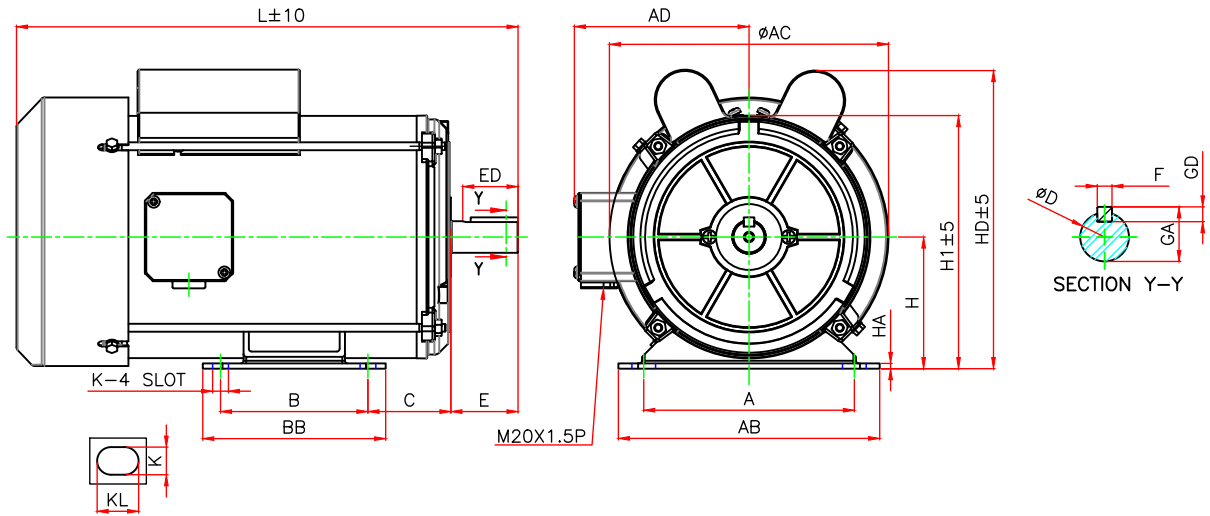


KM1**TECHNICAL DATASHEET
1 PHASE INDUCTION MOTOR**

Sr No	Parameter	Unit	Data
Product Specifications			
1	Rated Output	kW	2.2
2	Number of Poles	No	4
3	Frame Designation		100L
4	Product Code		KM1.2T20.BIM.B03.LSS
5	Mounting		B3
Electrical			
6	Type of Duty		Continuous S1
7	Rated Voltage	V	220 ±10%
8	Rated Frequency	Hz	50 ±5%
9	Rated Speed	RPM	1440
10	Rated Current	A	14.2
11	Method of Starting		Capacitor start capacitor run
12	Starting Capacitor at rated voltage	µF	280 at 275V
13	Running Capacitor at rated voltage	µF	30 at 600V
14	Starting Current (SCC)	A	116
15	Rated Torque	Kg-m	1.492
16	Starting Torque (STT)	% of FLT	225
17	Efficiency at 100% load	%	72
18	Power factor at 100% load		0.92
19	Insulation Class / Thermal Limit		F/F
Mechanical			
20	Degree of Protection		IP44
21	Material of construction		
	Body / Enclosure		CRCA sheet / TEFC
	Endshield		Aluminium
	Winding starting / running		Cu / Cu
22	Bearing DE/NDE		6205ZZ / 6203ZZ
23	Type of Coupling		Direct/Flexible
24	Moment of Inertia GD ²	kg-m ²	0.0526
25	Position of Terminal Box		LHS from DE
26	Maximum Cable Entry		M20x1.5P
27	Direction of Rotation		Bidirectional
28	Paint Shade		RAL 7046- Telegrey
29	Net weight	kg	28.4
30	Accessories		NA
Environmental			
31	Ambient Temperature /Temperature Rise (By resistance method)	°C	40 / 105
32	Altitude Above MSL	m	≤ 1000
Notes: All performance data shall be subject to tolerances as per IS996			
Customer		PO No./ Enq. No	
		Date	
Checked	BMD	08-05-2023	
Approved	SSN	08-05-2023	Document No: KM1-001 Rev.0
KIRLOSKAR OIL ENGINES LTD.			
ELECTRIC MOTORS			



GENERAL ARRANGEMENT DRAWING FOR 1 PHASE INDUCTION MOTOR



MODEL	KW	FRAME	FOOT FIXING								OVER ALL					
			A±1.2	B±1.2	C±0.8	H ^{+0.00} _{-1.60}	AB	BB	K	KL	AC	L	H1	HD	AD	HA
DS1005	2.20	100S	160	112	63	100	198.5	139	12	18	212	383	193	228	134	4

D END SHAFT EXTENSION AND KEY					
D ^{+0.009} _{-0.004}	E	ED	F ^{+0.00} _{-0.05}	GD ^{+0.00} _{-0.05}	GA ^{+0.00} _{-0.10}
24	51	42	8	7	27

ALL DIMENSIONS ARE IN mm,

	NAME	DATE	kW	2.20	FRAME	100S
DRAWN	SGS	06/02/2023	POLE	4	MOUNTING	B3 (HORIZONTAL FOOT)
CHECKED	SGS	06/02/2023	PRODUCT CODE	KM1.2T20.BIM.B03.LSS	CUSTOMER	
APPROVED	SSN	06/02/2023	MAX. CABLE SIZE	-	PO NO	
			PROJECT		CLIENT	

KIRLOSKAR OIL ENGINES LTD.
ELECTRIC MOTORS

DO NOT SCALE
FORMAT NO.:KM-GA-2021 R0

DRAWING NO
KM100SB3L_2R0