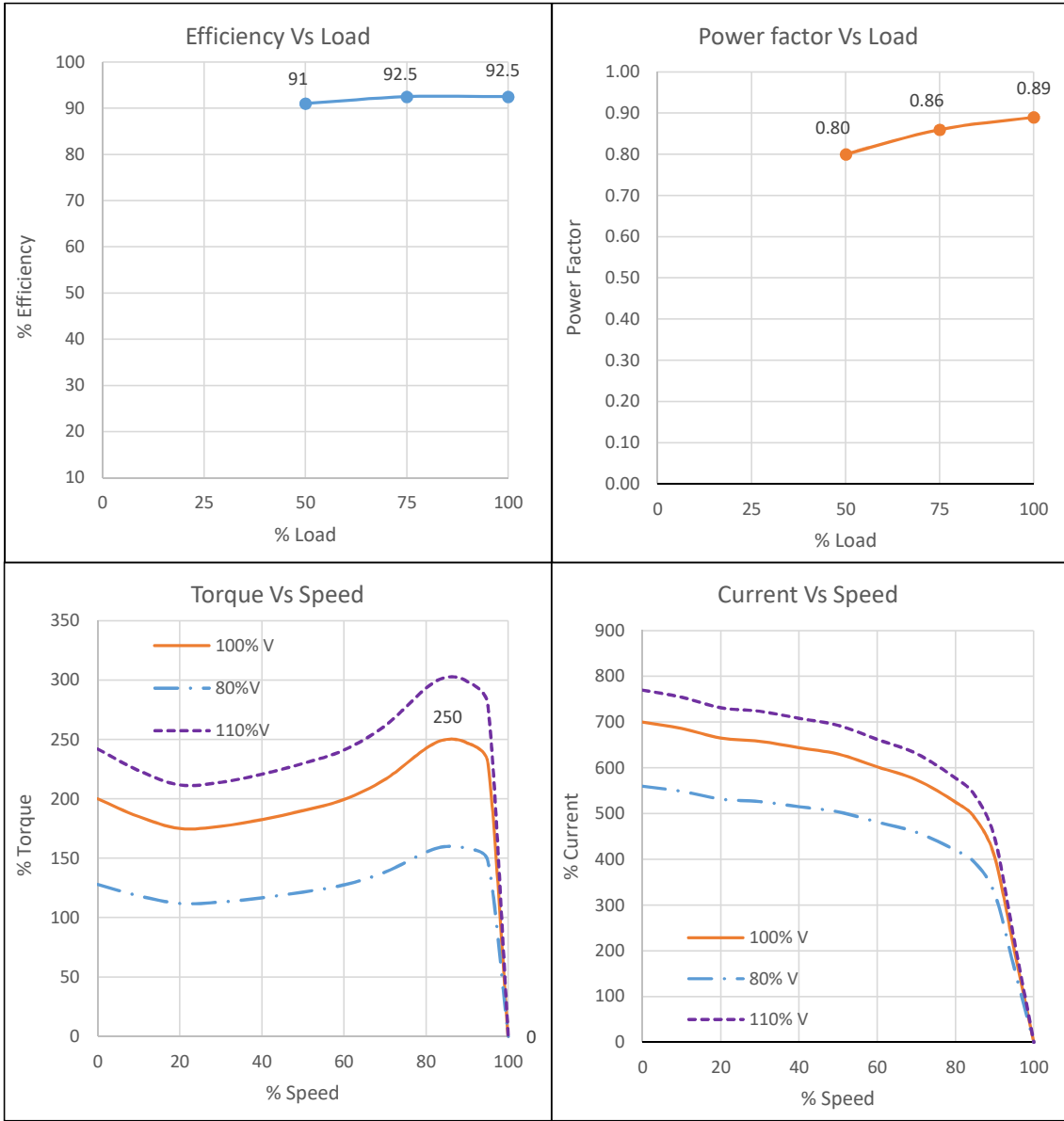


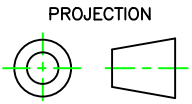
**IE2****TECHNICAL DATASHEET  
3 PHASE INDUCTION MOTOR****kirloskar  
motors**

| Sr No   | Parameter                             | Unit              | Data                                 |
|---|---------------------------------------|-------------------|--------------------------------------|
| <b>Product Specifications</b>   |                                       |                   |                                      |
| 1   | Rated Output                          | kW                | 37                                   |
| 2   | Number of Poles                       | No                | 2                                    |
| 3   | Frame Designation                     |                   | KM200L                               |
| 4   | Product Code                          |                   | KM2.37T0.ANC.B35.TSS                 |
| 5   | Mounting                              |                   | B35                                  |
| <b>Electrical</b>   |                                       |                   |                                      |
| 6   | Type of Duty                          |                   | Continuous S1                        |
| 7   | Rated Voltage                         | V                 | 415 ±10%                             |
| 8   | Rated Frequency                       | Hz                | 50 ±5%                               |
| 9   | Rated Speed                           | RPM               | 2950                                 |
| 10  | Rated Current                         | A                 | 63                                   |
| 11  | Method of Starting                    |                   | Direct On Line                       |
| 12  | Starting Current (SCC)                | % of FLA          | 700                                  |
| 13  | Rated Torque                          | Kg-m              | 12.21                                |
| 14  | Starting Torque (STT)                 | % of FLT          | 200                                  |
| 15  | Maximum Torque (POT)                  | % of FLT          | 250                                  |
| 16  | Efficiency at 100% / 75% / 50% load   | %                 | 92.5 / 92.5 / 91                     |
| 17  | Power factor at 100% / 75% / 50% load |                   | 0.89 / 0.86 / 0.8                    |
| 18  | Thermal Withstand Time (Hot)          | s                 | 10                                   |
| 19  | Thermal Withstand Time (Cold)         | s                 | 20                                   |
| 20  | Thermal Time Constant (Stator)        | min               | 40                                   |
| 21  | Connection / Number of Terminals      |                   | Delta / 6                            |
| 22  | Permissible Starts/hour (Hot/Cold)    | Nos               | 2/3                                  |
| 23  | Insulation Class / Thermal Limit      |                   | F/B                                  |
| 24  | Winding Treatment                     |                   | VPI, Dual Coat Copper Wire           |
| <b>Mechanical</b>   |                                       |                   |                                      |
| 25  | Degree of Protection                  |                   | IP55                                 |
| 26  | Enclosure / MOC /Method of Cooling    |                   | TEFC / CI/ IC411                     |
| 27  | Bearing DE/NDE                        |                   | 6312ZZ/6312ZZ                        |
| 28  | Type of Coupling                      |                   | Direct/Flexible                      |
| 29  | Noise Level                           |                   | As per IS12065                       |
| 30  | Vibration Level                       |                   | As per IS12075                       |
| 31  | GD <sup>2</sup>                       | kg-m <sup>2</sup> | 0.74                                 |
| 32  | Position of Terminal Box              |                   | TOP                                  |
| 33  | Maximum Cable Size                    |                   | 2X3CX70 mm <sup>2</sup>              |
| 34  | Direction of Rotation                 |                   | Bidirectional ( Default: CW from DE) |
| 35  | Paint Shade                           |                   | RAL 7046- Telegrey                   |
| 36  | Net weight                            | kg                | 240                                  |
| 37  | Accessories                           |                   | PTC 130 - 3 Nos (1 No / phase)       |
| <b>Enviromental</b>   |                                       |                   |                                      |
| 38  | Ambient Temperature /Temperature Rise | °C                | 50 / 70 (By resistance method)       |
| 39  | Altitude Above MSL                    | m                 | ≤ 1000                               |
| <b>Notes:</b> All performance data shall be subject to tolerances as per IS15999/IEC 60034.<br>Applicable Standards:IS 12615-2018, IS 15999-1 |                                       |                   |                                      |
| Customer  |                                       | PO No./ Enq. No   |                                      |
|   |                                       | Date              |                                      |
| Checked   | BMD                                   | 28-07-2022        |                                      |
| Approved  | SSN                                   | 28-07-2022        | Document No: KM2-001 Rev.0           |
| <b>KIRLOSKAR OIL ENGINES LTD.</b>   |                                       |                   |                                      |
| <b>ELECTRIC MOTORS</b>  |                                       |                   |                                      |

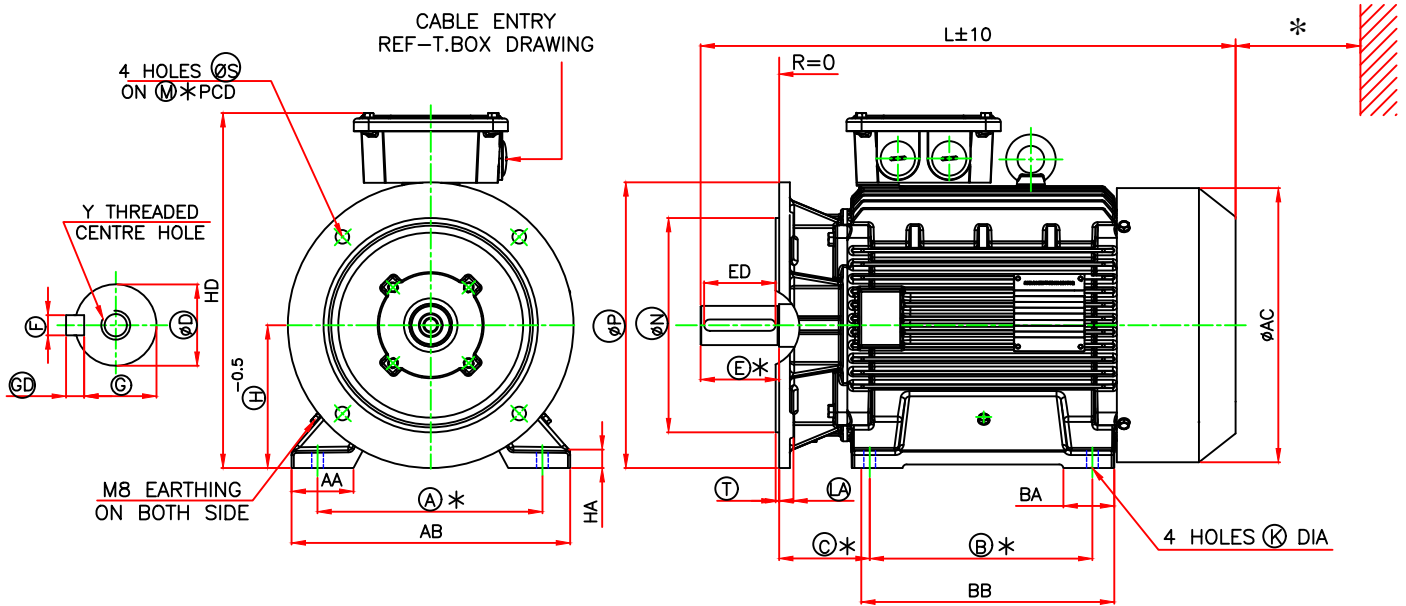
# PERFORMANCE CURVE



|                            |        |                 |                            |
|----------------------------|--------|-----------------|----------------------------|
| kW                         | 37     | Customer        |                            |
| Pole                       | 2      | PO No / Enq. No |                            |
| Frame                      | KM200L | Date            |                            |
| Mounting                   | B35    | Product Code    | KM2.37T0.ANC.B35.TSS       |
| Checked                    | BMD    | 28-07-2022      |                            |
| Approved                   | SSN    | 28-07-2022      | Document No KM2-002 Rev. 0 |
| KIRLOSKAR OIL ENGINES LTD. |        |                 |                            |
| ELECTRIC MOTORS            |        |                 |                            |



# GENERAL ARRANGEMENT DRAWING FOR TEFC 3 PHASE INDUCTION MOTOR



| FRAME  | FOOT FIXING |     |     |           |    |     |    |     |         | FLANGE FIXING |                 |     |    |   |    |
|--------|-------------|-----|-----|-----------|----|-----|----|-----|---------|---------------|-----------------|-----|----|---|----|
|        | A           | B   | C   | H TOL.    | AA | AB  | BA | BB  | K TOL.  | MTol          | NTol            | P   | S  | T | LA |
| KM200L | 318         | 305 | 133 | 200/199.5 | 87 | 390 | 71 | 368 | 19/19.5 | 350           | 300.016/299.987 | 400 | 19 | 5 | 20 |

| D END SHAFT EXTENSION AND KEY |     |     |           |         |           |        | OVER ALL |     |     |    |
|-------------------------------|-----|-----|-----------|---------|-----------|--------|----------|-----|-----|----|
| D TOL.                        | E   | ED  | F TOL.    | GD TOL. | G         | Y      | AC       | L   | HD  | HA |
| 55.030/55.011                 | 110 | 100 | 16/15.957 | 10/9.9  | 49.0/48.9 | M20X40 | 384      | 750 | 497 | 24 |

| kW   | PRODUCT CODE         |                      | PRODUCT CODE         |
|------|----------------------|----------------------|----------------------|
|      | 2 POLE               | 4 POLE               | 6 POLE               |
| 37   | KM2.37T0.ANC.B35.TSS |                      |                      |
| 30   | KM2.30T0.ANC.B35.TSS | KM2.30T0.BNC.B35.TSS |                      |
| 22   | --                   | --                   | KM2.22T0.CNC.B35.TSS |
| 18.5 | --                   | --                   | KM2.18T5.CNC.B35.TSS |

### NOTES:

- ONE EARTHING TERMINAL IS PROVIDED INSIDE MAIN TERMINAL BOX.
- \* 100mm MINIMUM DISTANCE TO BE MAINTAINED FOR EFFICIENT COOLING OF THE MOTOR.
- \* TOLERANCES ON MANDATORY DIMENSIONS ARE AS PER IS:1231/IS:2223/IEC:60072

RINGED DIMENSIONS ARE AS PER IS:1231/IS:2223/IEC:60072-1

ALL DIMENSIONS ARE IN mm,

|          | NAME | DATE       | kW              | REFER TABLE             | FRAME    | KM200L                           |
|----------|------|------------|-----------------|-------------------------|----------|----------------------------------|
| DRAWN    | SGS  | 18/08/2022 | POLE            | REFER TABLE             | MOUNTING | B35 (HORIZONTAL FOOT CUM FLANGE) |
| CHECKED  | SGS  | 18/08/2022 | PRODUCT CODE    | REFER TABLE             | CUSTOMER |                                  |
| APPROVED | SSN  | 18/08/2022 | MAX. CABLE SIZE | 2RX3CX70MM <sup>2</sup> | PO NO    |                                  |
|          |      |            | PROJECT         |                         | CLIENT   |                                  |

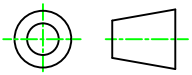
**KIRLOSKAR OIL ENGINES LTD.**  
ELECTRIC MOTORS

DO NOT SCALE  
FORMAT NO.:KM-GA-2021 R0

DRAWING NO  
**KM200LB35TSR0**

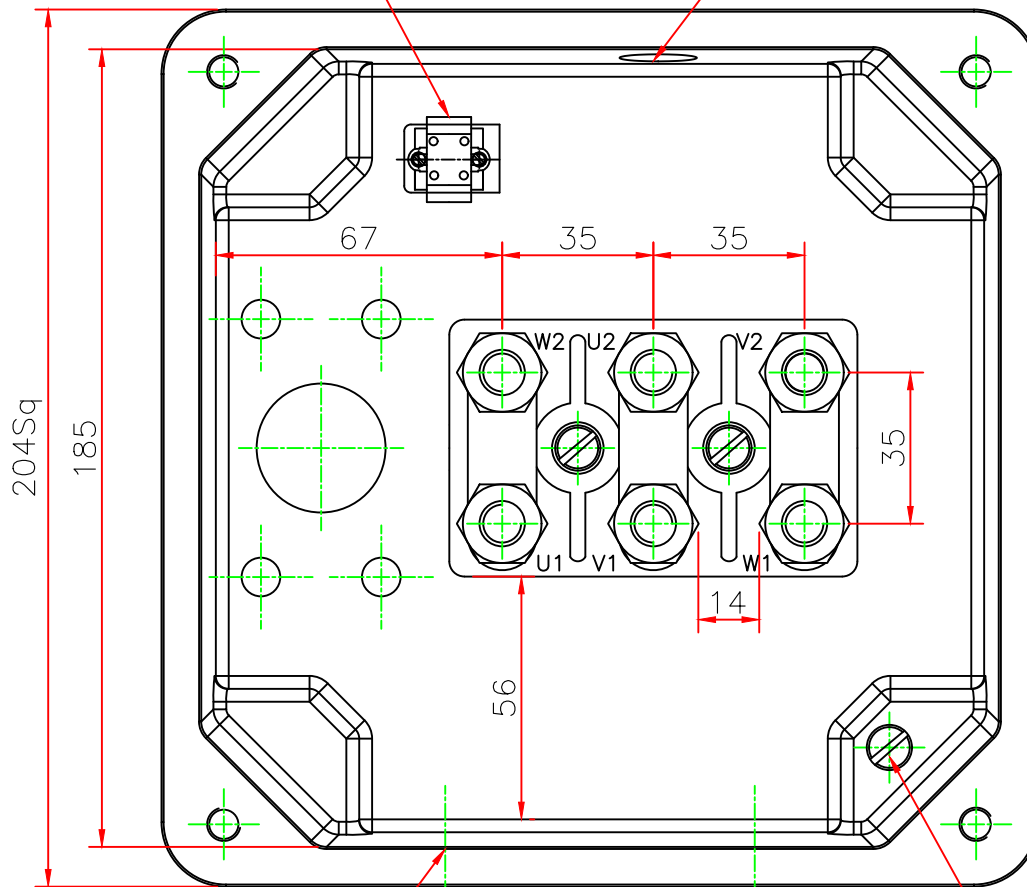
# TERMINAL ARRANGEMENT DRAWING

PROJECTION



2 PO, 5A  
Terminal WAGO Connector

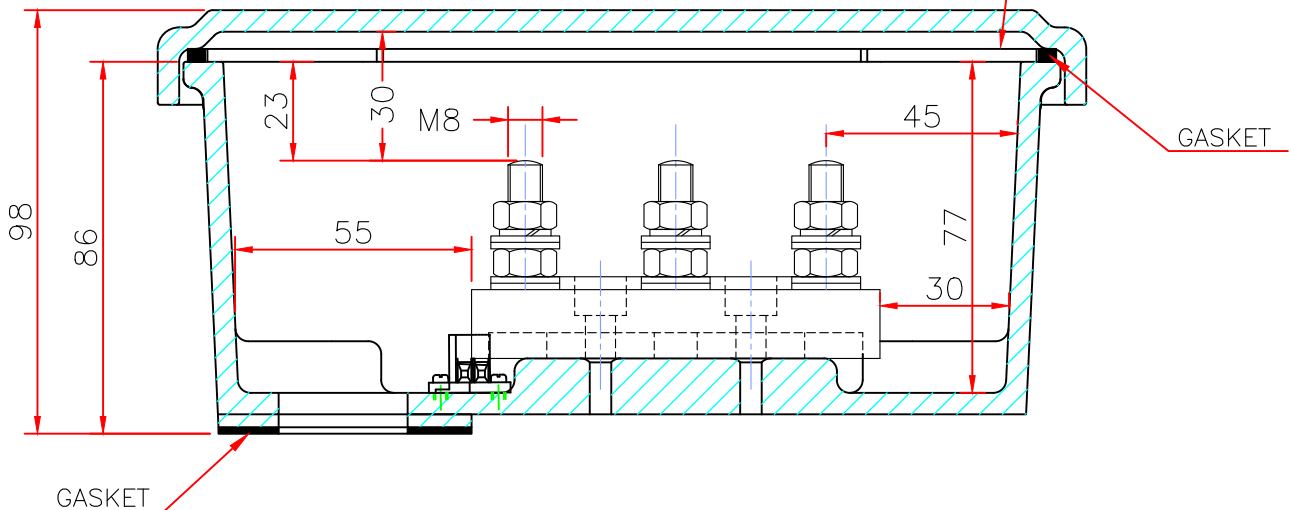
THERMISTOR CABLE  
M12X1.5P-1No



CABLE ENTRY  
REFER TABLE

EARTHING SIZE M8

TERMINAL BOX COVER



ALL DIMENSIONS ARE IN mm

|   | NAME | DATE       | kW                       | FRAME                   | KM200L  |
|---|------|------------|--------------------------|-------------------------|---------|
| DRAWN   | SGS  | 23/12/2021 | POLE                     | CUSTOMER                |         |
| CHECKED                                       | SGS  | 23/12/2021 | PRODUCT CODE             | PO NO                   |         |
| APPROVED                                      | SSN  | 23/12/2021 | MAX. CABLE SIZE          | 2RX3CX70MM <sup>2</sup> | CLIENT  |
|   |      |            | CABLE ENTRY              | M40X1.5P-2NOS.          | PROJECT |
| KIRLOSKAR OIL ENGINES LTD.<br>ELECTRIC MOTORS |      |            | DO NOT SCALE             | DRAWING NO              |         |
|   |      |            | FORMAT NO.:KM-TB-2021 R0 | KM200TBR1               |         |