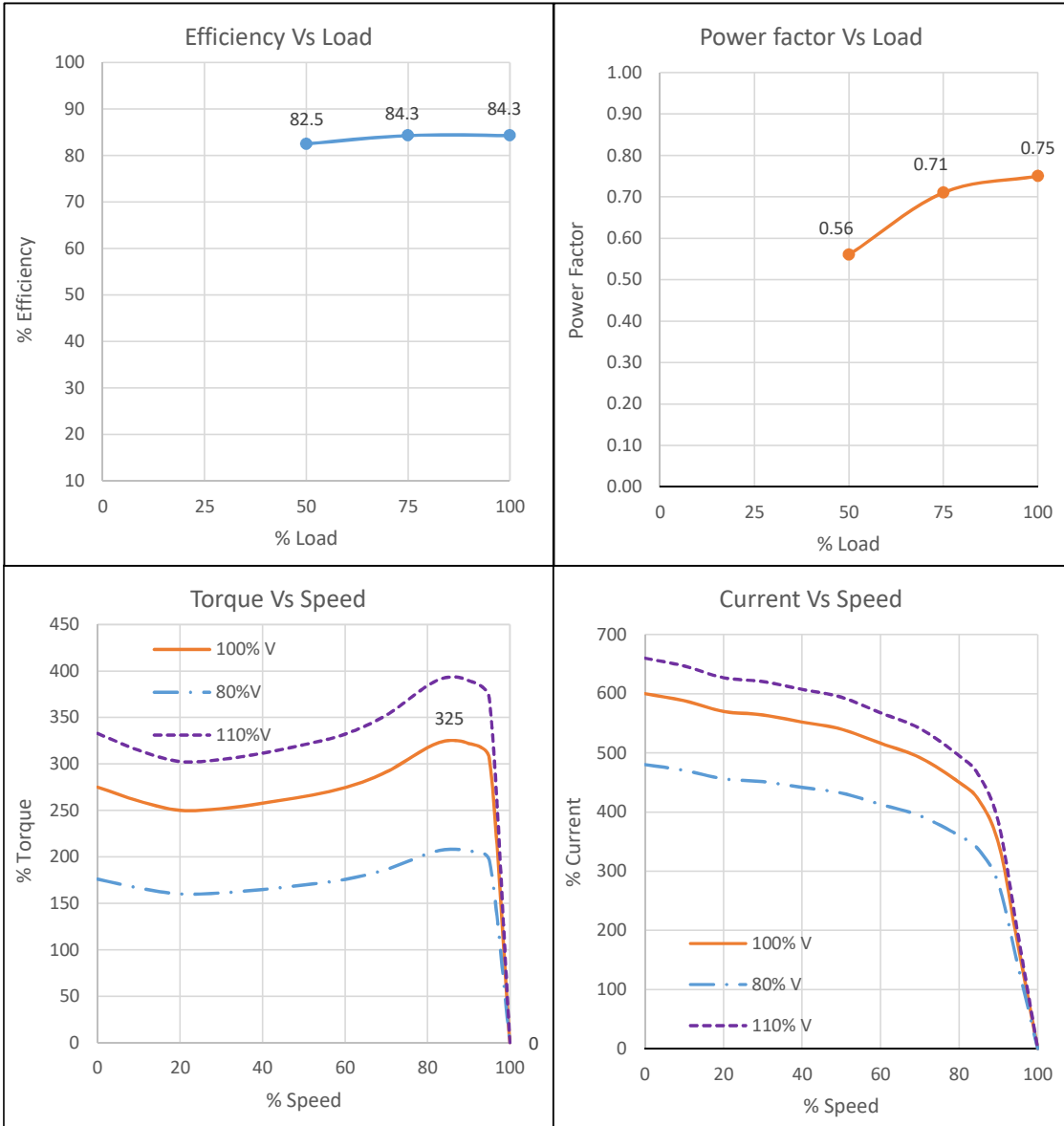


**IE2****TECHNICAL DATASHEET  
3 PHASE INDUCTION MOTOR****kirloskar  
motors**

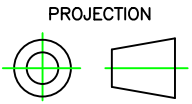
Sr No	Parameter	Unit	Data
<b>Product Specifications</b>			
1	Rated Output	kW	2.2
2	Number of Poles	No	4
3	Frame Designation		KM100L
4	Product Code		KM2.2T20.BIA.B35.TSS
5	Mounting		B35
<b>Electrical</b>			
6	Type of Duty		Continuous S1
7	Rated Voltage	V	415 ±10%
8	Rated Frequency	Hz	50 ±5%
9	Rated Speed	RPM	1435
10	Rated Current	A	4.84
11	Method of Starting		Direct On Line
12	Starting Current (SCC)	% of FLA	600
13	Rated Torque	Kg-m	1.49
14	Starting Torque (STT)	% of FLT	275
15	Maximum Torque (POT)	% of FLT	325
16	Efficiency at 100% / 75% / 50% load	%	84.3 / 84.3/ 82.5
17	Power factor at 100% / 75% / 50% load		0.75 / 0.71 / 0.56
18	Thermal Withstand Time (Hot)	s	6
19	Thermal Withstand Time (Cold)	s	12
20	Thermal Time Constant (Stator)	min	30
21	Connection / Number of Terminals		Delta / 6
22	Permissible Starts/hour (Hot/Cold)	Nos	2/3
23	Insulation Class / Thermal Limit		F/B
24	Winding Treatment		VPI, Dual Coat Copper Wire
<b>Mechanical</b>			
25	Degree of Protection		IP55
26	Enclosure / MOC /Method of Cooling		TEFC / AL/ IC411
27	Bearing DE/NDE		6206ZZ/6206ZZ
28	Type of Coupling		Direct/Flexible
29	Noise Level		As per IS12065
30	Vibration Level		As per IS12075
31	Moment of Inertia GD <sup>2</sup>	kg-m <sup>2</sup>	0.0236
32	Position of Terminal Box		TOP
33	Maximum Cable Size		2X3CX6 mm <sup>2</sup>
34	Direction of Rotation		Bidirectional ( Default: CW from DE)
35	Paint Shade		RAL 7046- Telegrey
36	Net weight	kg	23.00
37	Accessories		NA
<b>Environmental</b>			
38	Ambient Temperature /Temperature Rise	°C	50 / 70 (By resistance method)
39	Altitude Above MSL	m	≤ 1000
<b>Notes:</b> All performance data shall be subject to tolerances as per IS15999/IEC 60034. Applicable Standards:IS 12615-2018, IS 15999-1			
Customer		PO No./ Enq. No	
		Date	
Checked	BMD	21-06-2023	
Approved	SSN	21-06-2023	Document No: KM2-001 Rev.0
<b>KIRLOSKAR OIL ENGINES LTD.</b>			
<b>ELECTRIC MOTORS</b>			

# PERFORMANCE CURVE

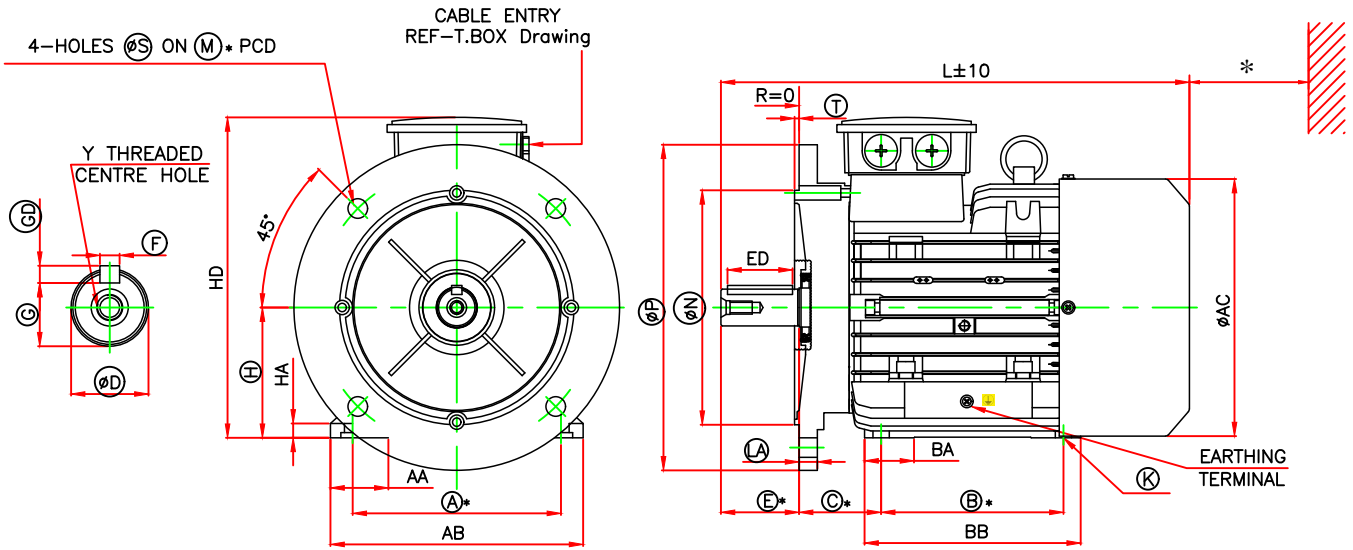


kW	2.2	Customer	
Pole	4	PO No / Enq. No	
Frame	KM100L	Date	
Mounting	B35	Product Code	KM2.2T20.BIA.B35.TSS
Checked	BMD	21-06-2023	
Approved	SSN	21-06-2023	Document No KM2-002 Rev. 0

KIRLOSKAR OIL ENGINES LTD.  
ELECTRIC MOTORS



# GENERAL ARRANGEMENT DRAWING FOR TEFC 3 PHASE INDUCTION MOTOR



FRAME	FOOT FIXING							FLANGE FIXING							
	A	B	C	H TOL.	AA	AB	BA	BB	K TOL.	M TOL.	N TOL.	P	S	T	LA
KM100L	160	140	63	100/99.5	44	194	38	166	18 X 12.5	215	180.014/179.989	250	15	4	11

D END SHAFT EXTENSION AND KEY							OVER ALL			
D TOL.	E	ED	F TOL.	GD TOL.	G	Y	AC	L	HD	HA
28.009/27.996	60	50	8/7.964	7/6.91	24/23.9	M10X24	198	360	245	11

kW	PRODUCT CODE	PRODUCT CODE	PRODUCT CODE	PRODUCT CODE
	2 POLE	4 POLE	6 POLE	8 POLE
0.75	--	--	--	KM2.0T75.DIA.B35.TSS
1.1	--	--	--	KM2.1T10.DIA.B35.TSS
1.5	--	--	KM2.1T50.CIA.B35.TSS	--
2.2	--	KM2.2T20.BIA.B35.TSS	--	--
3.7	KM2.3T70.AIA.B35.TSS	--	--	--

### NOTES:

- ONE EARTHING TERMINAL IS PROVIDED INSIDE MAIN TERMINAL BOX.
- \* 80mm MINIMUM DISTANCE TO BE MAINTAINED FOR EFFICIENT COOLING OF THE MOTOR.
- \* TOLERANCES ON MANDATORY DIMENSIONS ARE AS PER IS:1231/IS:2223/IEC:60072

RINGED DIMENSIONS ARE AS PER IS:1231/IS:2223/IEC:60072-1

ALL DIMENSIONS ARE IN mm,

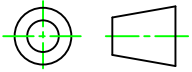
	NAME	DATE	kW	REFER TABLE	FRAME	KM100L
DRAWN	KSK	09/06/2023	POLE	REFER TABLE	MOUNTING	B35 (HORIZONTAL FOOT CUM FLANGE)
CHECKED	SGS	09/06/2023	PRODUCT CODE	REFER TABLE	CUSTOMER	
APPROVED	SSN	09/06/2023	MAX. CABLE SIZE	1RX3CX6MM <sup>2</sup>	PO NO	
			PROJECT		CLIENT	

**KIRLOSKAR OIL ENGINES LTD.**  
ELECTRIC MOTORS

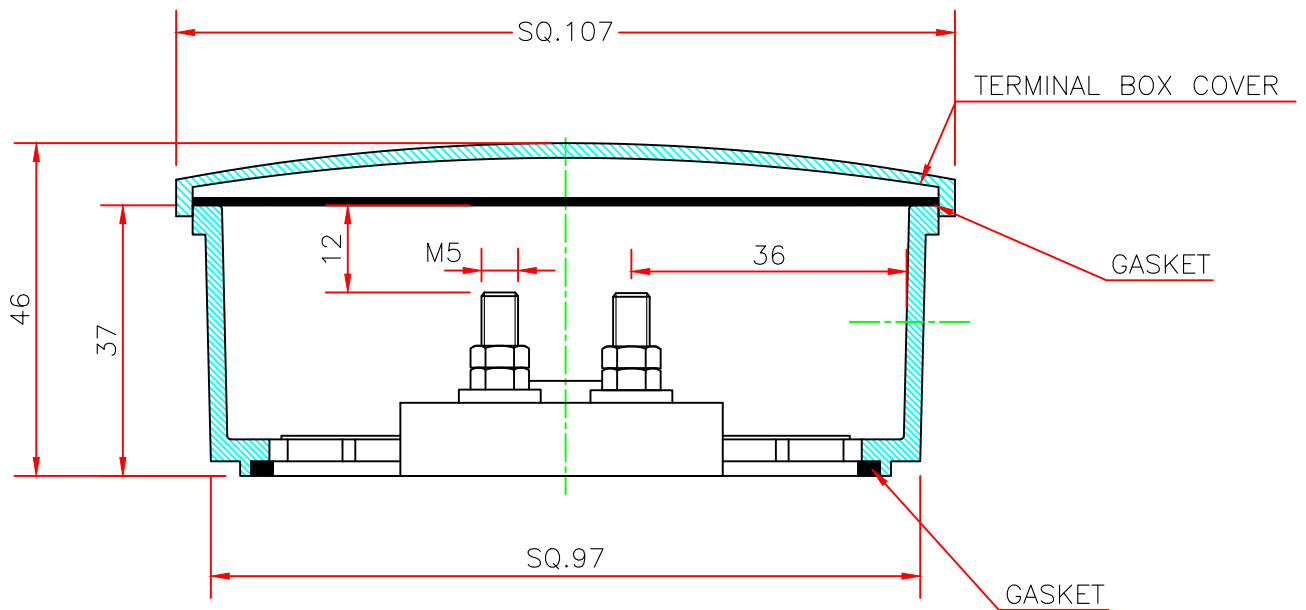
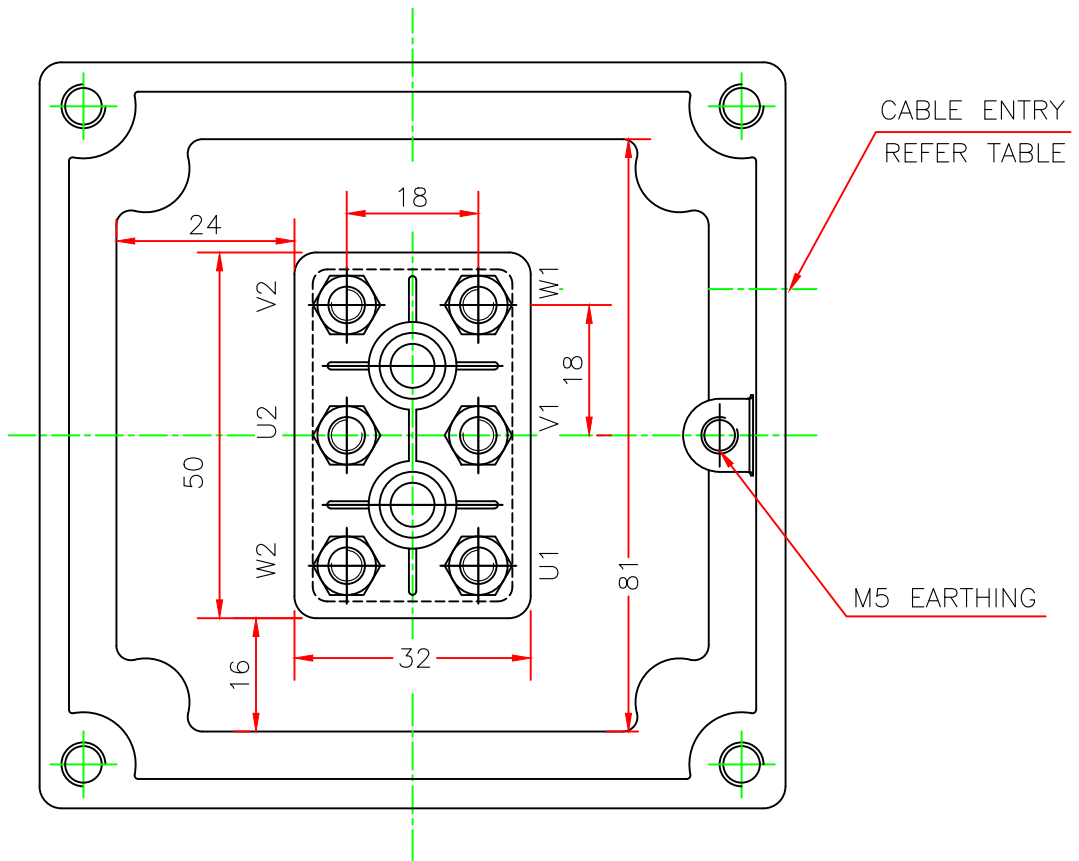
DO NOT SCALE  
FORMAT NO.:KM-GA-2021 R0

DRAWING NO  
**KM100LB35TSALR0**

PROJECTION



# TERMINAL ARRANGEMENT DRAWING



ALL DIMENSIONS ARE IN mm

	NAME	DATE	kW		FRAME	KM100L
DRAWN	SGS	24/12/2021	POLE		CUSTOMER	
CHECKED	SGS	24/12/2021	PRODUCT CODE		PO NO	
APPROVED	SSN	24/12/2021	MAX. CABLE SIZE	2RX3CX6MM <sup>2</sup>	CLIENT	
			CABLE ENTRY	M20X1.5P-2NOS.	PROJECT	
KIRLOSKAR OIL ENGINES LTD. ELECTRIC MOTORS				DO NOT SCALE FORMAT NO.:KM-TB-2021 R0	DRAWING NO KM100TBR1	