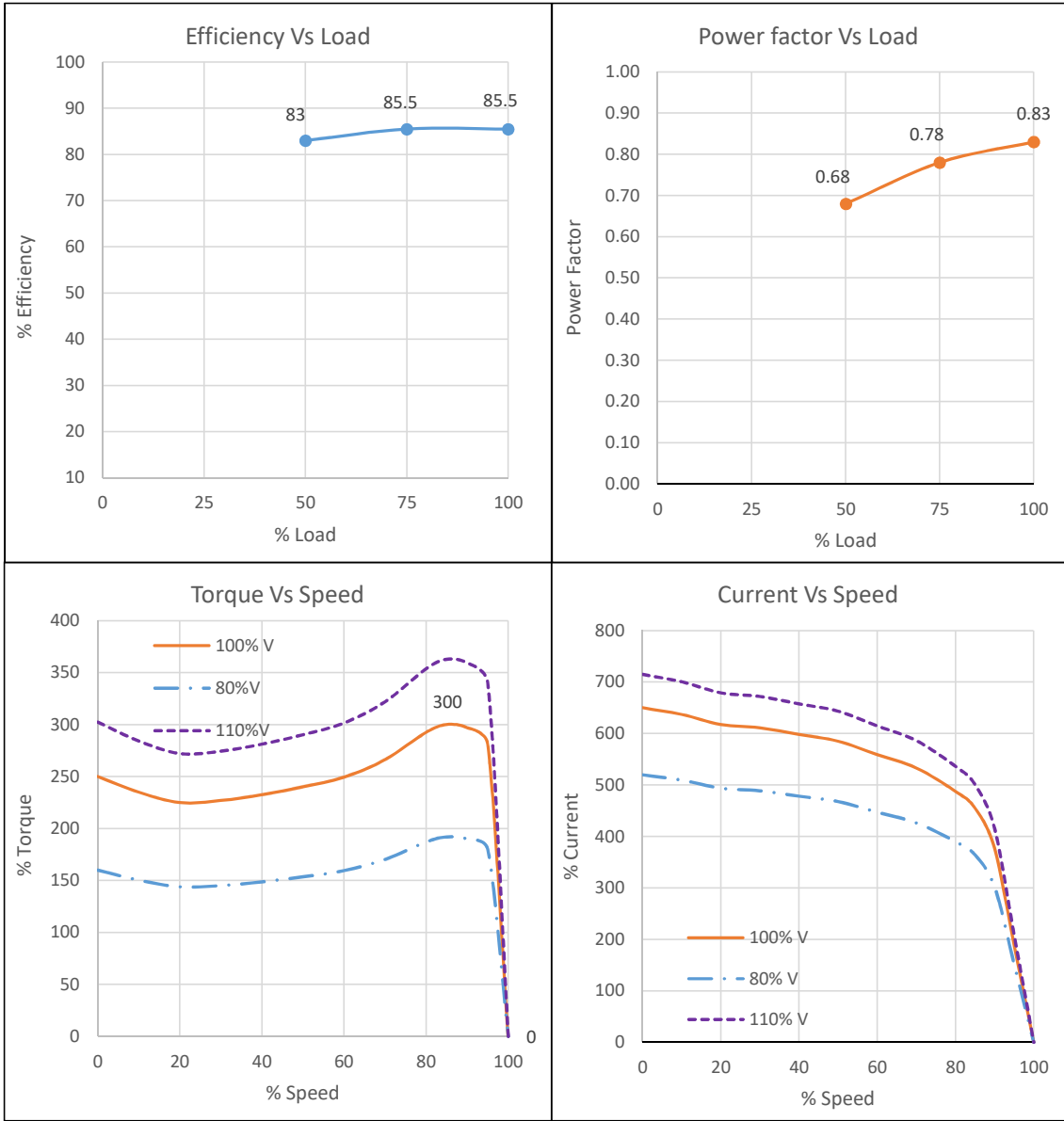


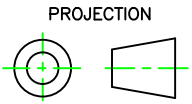
**IE2****TECHNICAL DATASHEET  
3 PHASE INDUCTION MOTOR****kirloskar  
motors**

Sr No	Parameter	Unit	Data
<b>Product Specifications</b>			
1	Rated Output	kW	3.7
2	Number of Poles	No	2
3	Frame Designation		KM100L
4	Product Code		KM2.3T70.AIC.B03.TSS
5	Mounting		B3
<b>Electrical</b>			
6	Type of Duty		Continuous S1
7	Rated Voltage	V	415 ±10%
8	Rated Frequency	Hz	50 ±5%
9	Rated Speed	RPM	2865
10	Rated Current	A	7.30
11	Method of Starting		Direct On Line
12	Starting Current (SCC)	% of FLA	650
13	Rated Torque	Kg-m	1.26
14	Starting Torque (STT)	% of FLT	250
15	Maximum Torque (POT)	% of FLT	300
16	Efficiency at 100% / 75% / 50% load	%	85.5 / 85.5 / 83
17	Power factor at 100% / 75% / 50% load		0.83 / 0.78 / 0.68
18	Thermal Withstand Time (Hot)	s	8
19	Thermal Withstand Time (Cold)	s	16
20	Thermal Time Constant (Stator)	min	30
21	Connection / Number of Terminals		Delta / 6
22	Permissible Starts/hour (Hot/Cold)	Nos	2/3
23	Insulation Class / Thermal Limit		F/F
24	Winding Treatment		VPI, Dual Coat Copper Wire
<b>Mechanical</b>			
25	Degree of Protection		IP55
26	Enclosure / MOC /Method of Cooling		TEFC / CI/ IC411
27	Bearing DE/NDE		6206ZZ/6205ZZ
28	Type of Coupling		Direct/Flexible
29	Noise Level		As per IS12065
30	Vibration Level		As per IS12075
31	GD <sup>2</sup>	kg-m <sup>2</sup>	0.0147
32	Position of Terminal Box		TOP
33	Maximum Cable Size		2X3CX6 mm <sup>2</sup>
34	Direction of Rotation		Bidirectional ( Default: CW from DE)
35	Paint Shade		RAL 7046- Telegrey
36	Net weight	kg	36
37	Accessories		NA
<b>Enviromental</b>			
38	Ambient Temperature /Temperature Rise	°C	50 / 80 (By resistance method)
39	Altitude Above MSL	m	≤ 1000
<b>Notes:</b> All performance data shall be subject to tolerances as per IS15999/IEC 60034. Applicable Standards:IS 12615-2018, IS 15999-1			
Customer		PO No./ Enq. No	
		Date	
Checked	BMD	06-06-2022	
Approved	SSN	06-06-2022	Document No: KM2-001 Rev.0
<b>KIRLOSKAR OIL ENGINES LTD.</b>			
<b>ELECTRIC MOTORS</b>			

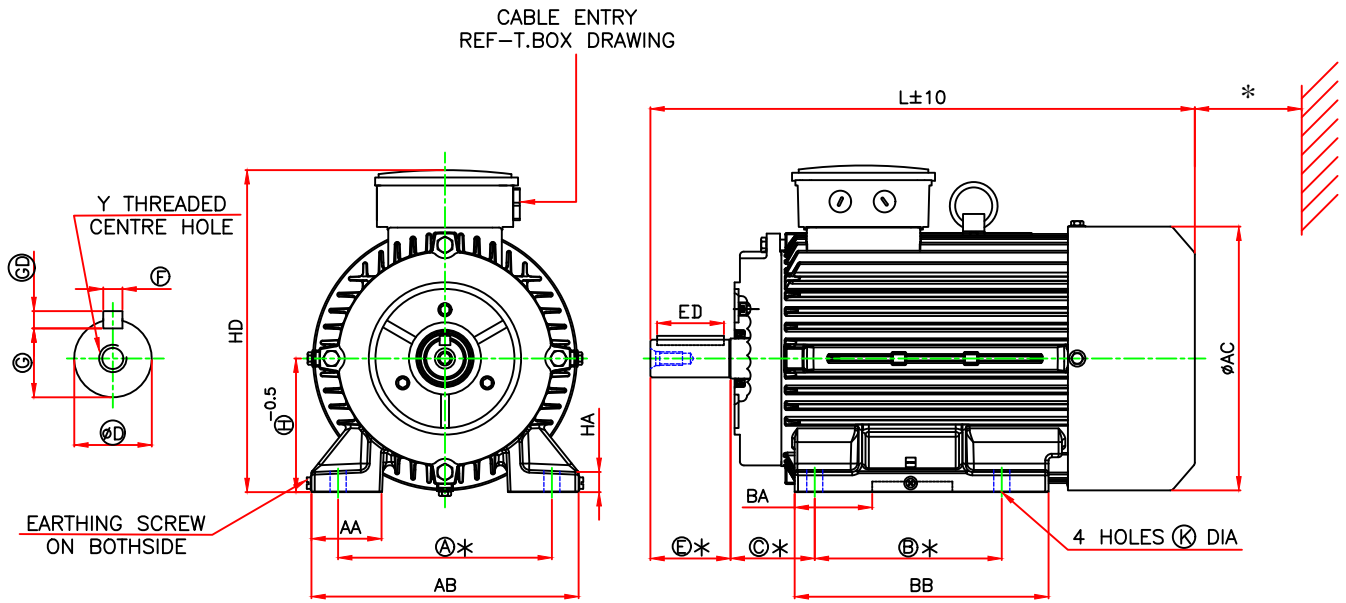
# PERFORMANCE CURVE



kW	3.7	Customer	
Pole	2	PO No / Enq. No	
Frame	KM100L	Date	
Mounting	B3	Product Code	KM2.3T70.AIC.B03.TSS
Checked	BMD	06-06-2022	
Approved	SSN	06-06-2022	Document No KM2-002 Rev. 0
KIRLOSKAR OIL ENGINES LTD. ELECTRIC MOTORS			



# GENERAL ARRANGEMENT DRAWING FOR TEFC 3 PHASE INDUCTION MOTOR



FRAME	FOOT FIXING										OVER ALL			
	A	B	B1	C	H TOL.	AA	AB	BA	BB	K TOL.	AC	L	HD	HA
KM100L	160	140	--	63	100/99.5	52	200	58	190	12/12.5	198	410	245	15

D END SHAFT EXTENSION AND KEY						
D TOL.	E	ED	F TOL.	GD TOL.	G	Y
28.009/27.996	60	50	8/7.964	7.0/6.9	24.0/23.9	M10X24

kW	PRODUCT CODE	PRODUCT CODE	PRODUCT CODE
	2 POLE	4 POLE	6 POLE
3.7	KM2.3T70.AIC.B03.TSS	--	--
2.2	--	KM2.2T20.BIC.B03.TSS	--
1.5	--	--	KM2.1T50.CIC.B03.TSS

## NOTES:

- ONE EARTHING TERMINAL IS PROVIDED INSIDE MAIN TERMINAL BOX.
- \* 80mm MINIMUM DISTANCE TO BE MAINTAINED FOR EFFICIENT COOLING OF THE MOTOR.
- \* TOLERANCES ON MANDATORY DIMENSIONS ARE AS PER IS:1231/IEC:60072

RINGED DIMENSIONS ARE AS PER IS:1231/IEC:60072

ALL DIMENSIONS ARE IN mm,

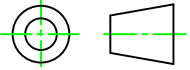
	NAME	DATE	kW	REFER TABLE	FRAME	KM100L
DRAWN	SGS	23/12/2021	POLE	REFER TABLE	MOUNTING	B3 (HORIZONTAL FOOT)
CHECKED	SGS	23/12/2021	PRODUCT CODE	REFER TABLE	CUSTOMER	
APPROVED	SSN	23/12/2021	MAX. CABLE SIZE	2RX3CX6MM <sup>2</sup>	PO NO	
			PROJECT		CLIENT	

**KIRLOSKAR OIL ENGINES LTD.**  
ELECTRIC MOTORS

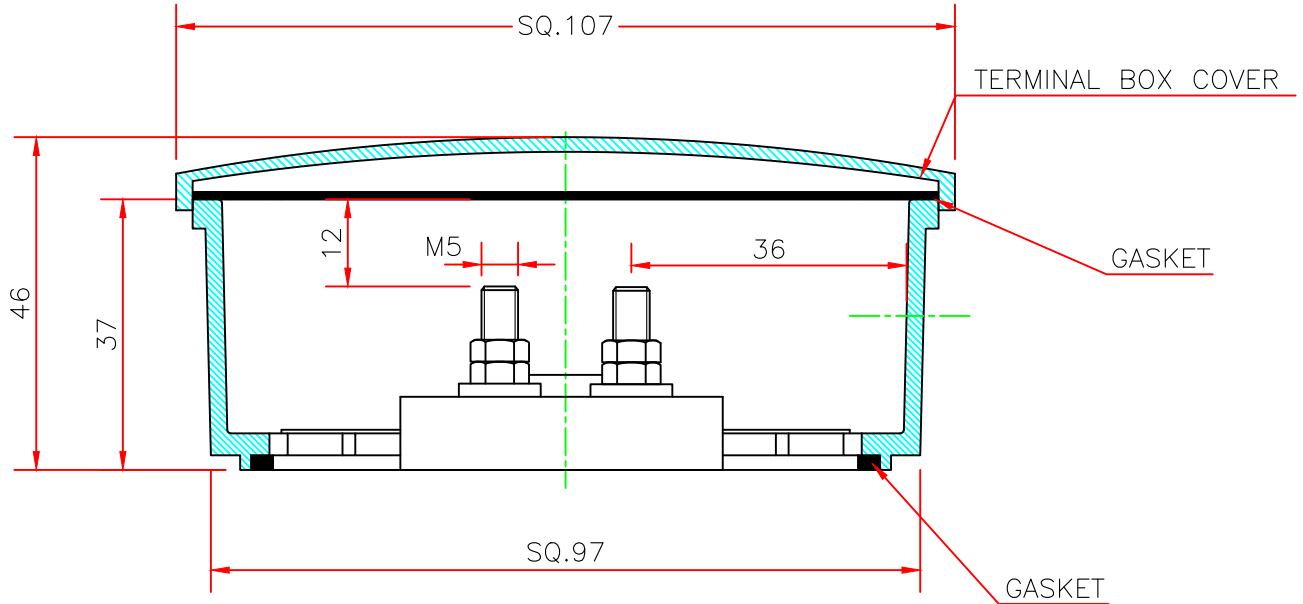
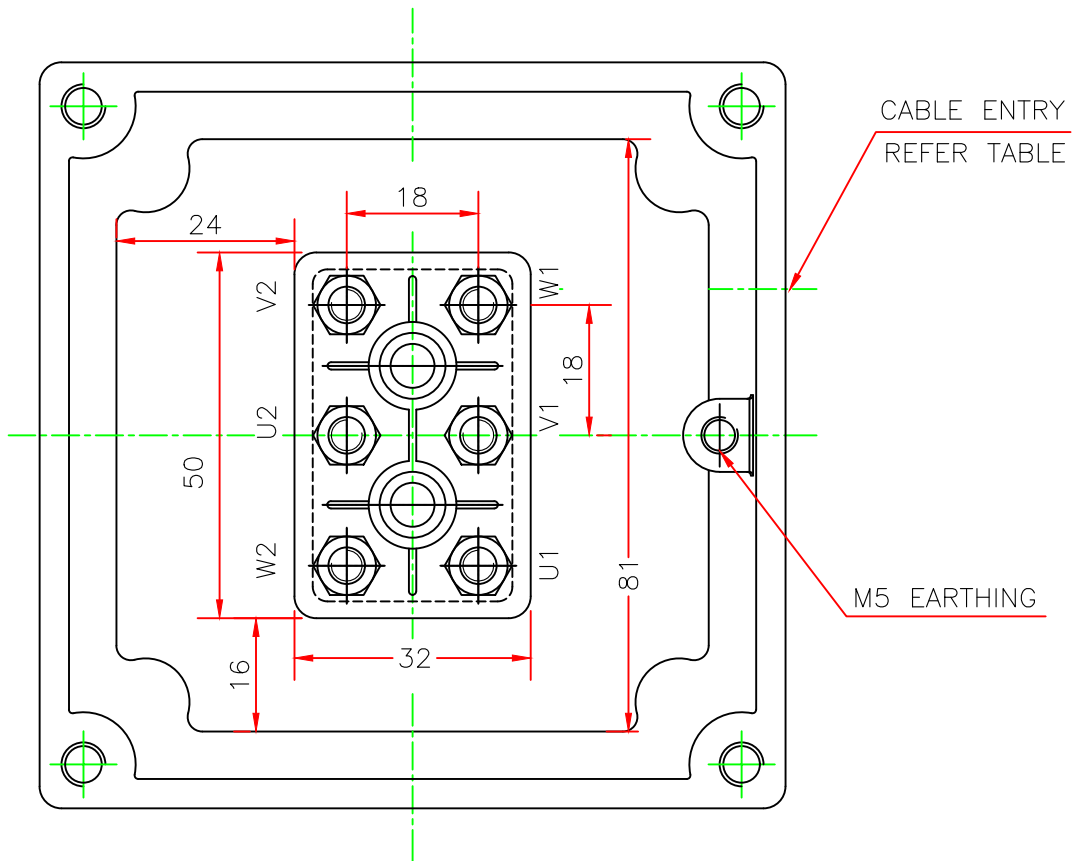
DO NOT SCALE  
FORMAT NO.:KM-GA-2021 R0

DRAWING NO  
**KM100LB3TSR1**

PROJECTION



# TERMINAL ARRANGEMENT DRAWING



ALL DIMENSIONS ARE IN mm

	NAME	DATE	kW		FRAME	KM100L
DRAWN	SGS	24/12/2021	POLE		CUSTOMER	
CHECKED	SGS	24/12/2021	PRODUCT CODE		PO NO	
APPROVED	SSN	24/12/2021	MAX. CABLE SIZE	2RX3CX6MM <sup>2</sup>	CLIENT	
			CABLE ENTRY	M20X1.5P-2NOS.	PROJECT	
KIRLOSKAR OIL ENGINES LTD. ELECTRIC MOTORS				DO NOT SCALE FORMAT NO.:KM-TB-2021 R0	DRAWING NO KM100TBR1	