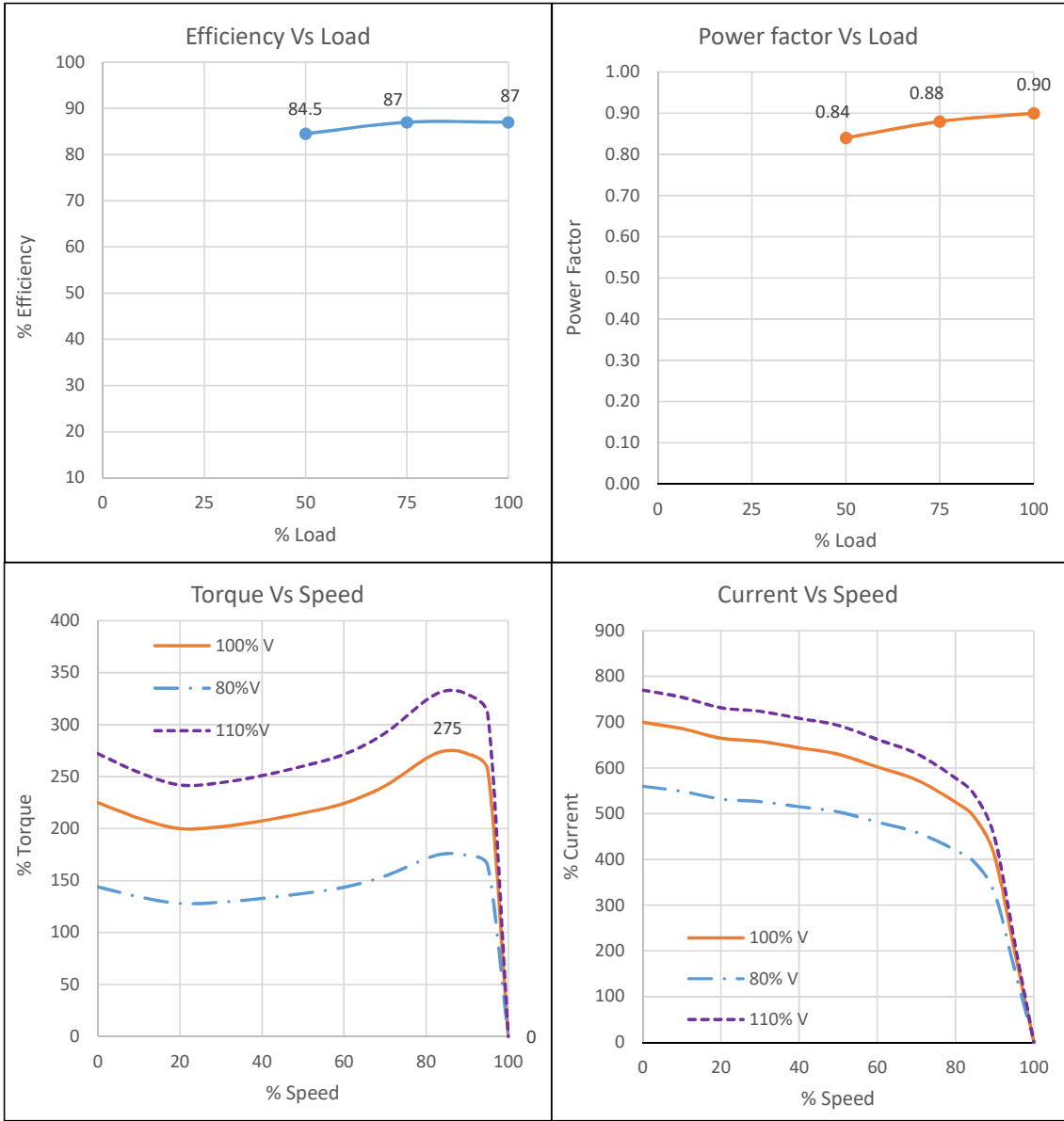


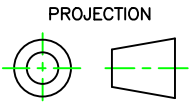
IE2**TECHNICAL DATASHEET
3 PHASE INDUCTION MOTOR****kirloskar
motors**

Sr No	Parameter	Unit	Data
Product Specifications			
1	Rated Output	kW	5.5
2	Number of Poles	No	2
3	Frame Designation		KM132S
4	Product Code		KM2.5T50.AKC.B35.TSS
5	Mounting		B35
Electrical			
6	Type of Duty		Continuous S1
7	Rated Voltage	V	415 ±10%
8	Rated Frequency	Hz	50 ±5%
9	Rated Speed	RPM	2930
10	Rated Current	A	9.8
11	Method of Starting		Direct On Line
12	Starting Current (SCC)	% of FLA	700
13	Rated Torque	Kg-m	1.83
14	Starting Torque (STT)	% of FLT	225
15	Maximum Torque (POT)	% of FLT	275
16	Efficiency at 100% / 75% / 50% load	%	87 / 87/ 84.5
17	Power factor at 100% / 75% / 50% load		0.9 / 0.88 / 0.84
18	Thermal Withstand Time (Hot)	s	8
19	Thermal Withstand Time (Cold)	s	16
20	Thermal Time Constant (Stator)	min	40
21	Connection / Number of Terminals		Delta / 6
22	Permissible Starts/hour (Hot/Cold)	Nos	2/3
23	Insulation Class / Thermal Limit		F/B
24	Winding Treatment		VPI, Dual Coat Copper Wire
Mechanical			
25	Degree of Protection		IP55
26	Enclosure / MOC /Method of Cooling		TEFC / CI/ IC411
27	Bearing DE/NDE		6308ZZ/6208ZZ
28	Type of Coupling		Direct/Flexible
29	Noise Level		As per IS12065
30	Vibration Level		As per IS12075
31	GD ²	kg-m ²	0.062
32	Position of Terminal Box		TOP
33	Maximum Cable Size		2X3CX10 mm ²
34	Direction of Rotation		Bidirectional (Default: CW from DE)
35	Paint Shade		RAL 7046- Telegrey
36	Net weight	kg	72
37	Accessories		NA
Enviromental			
38	Ambient Temperature /Temperature Rise	°C	50 / 70 (By resistance method)
39	Altitude Above MSL	m	≤ 1000
Notes: All performance data shall be subject to tolerances as per IS15999/IEC 60034. Applicable Standards:IS 12615-2018, IS 15999-1			
Customer		PO No./ Enq. No	
		Date	
Checked	BMD	28-07-2022	
Approved	SSN	28-07-2022	Document No: KM2-001 Rev.0
KIRLOSKAR OIL ENGINES LTD.			
ELECTRIC MOTORS			

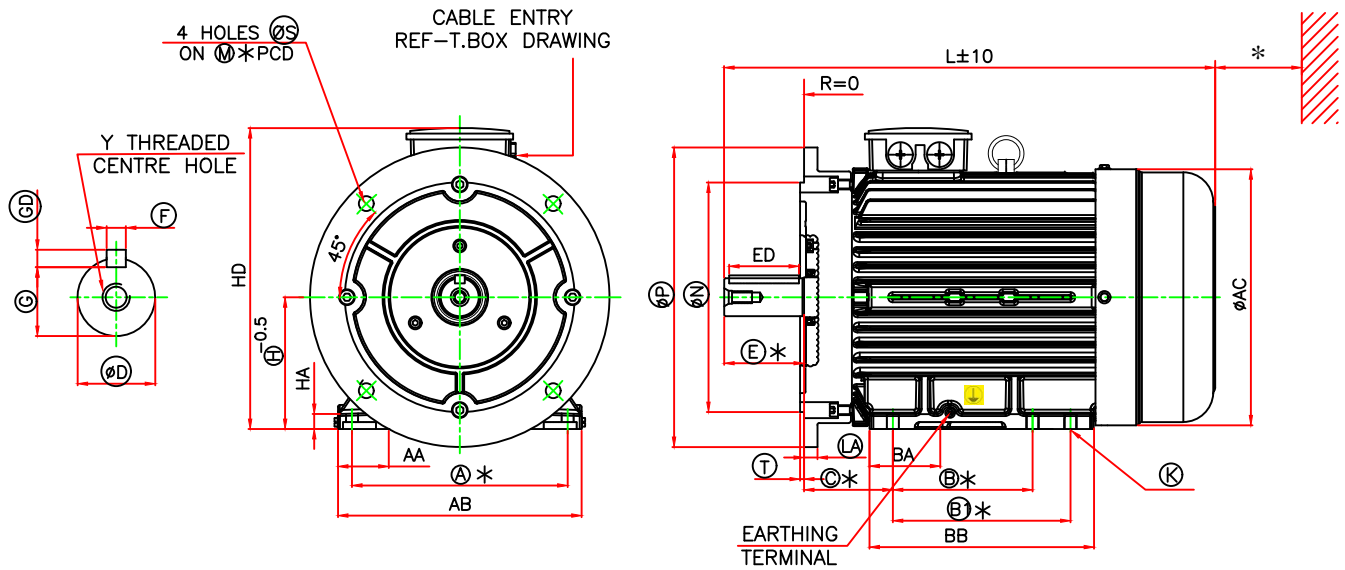
PERFORMANCE CURVE



kW	5.5	Customer	
Pole	2	PO No / Enq. No	
Frame	KM132S	Date	
Mounting	B35	Product Code	KM2.5T50.AKC.B35.TSS
Checked	BMD	28-07-2022	
Approved	SSN	28-07-2022	Document No KM2-002 Rev. 0
KIRLOSKAR OIL ENGINES LTD.			
ELECTRIC MOTORS			



GENERAL ARRANGEMENT DRAWING FOR TEFC 3 PHASE INDUCTION MOTOR



FRAME	FOOT FIXING										FLANGE FIXING						
	A	B	B1	C	H TOL.	AA	AB	BA	BB	K TOL.	MTol	NTol		P	S	T	LA
KM132S	216	140	178	89	132/131.5	52	244	44	221	12/12.5	265	230.016/229.987		300	15	4	12

D END SHAFT EXTENSION AND KEY								OVER ALL			
D TOL.	E	ED	F TOL.	GD TOL.	G	Y	AC	L	HD	HA	
38.018/38.002	80	70	10/9.954	8.0/7.9	33.0/32.9	M12X28	258	495	305	15	

kW	PRODUCT CODE		PRODUCT CODE
	2 POLE	4 POLE	6 POLE
5.5	KM2.5T50.AKC.B35.TSS	KM2.5T50.BKC.B35.TSS	--
7.5	KM2.7T50.AKC.B35.TSS	--	--
3.7	--	--	KM2.3T70.CKC.B35.TSS

NOTES:

- ONE EARTHING TERMINAL IS PROVIDED INSIDE MAIN TERMINAL BOX.
- * 80mm MINIMUM DISTANCE TO BE MAINTAINED FOR EFFICIENT COOLING OF THE MOTOR.
- * TOLERANCES ON MANDATORY DIMENSIONS ARE AS PER IS:1231/IS:2223/IEC:60072

RINGED DIMENSIONS ARE AS PER IS:1231/IS:2223/IEC:60072-1
ALL DIMENSIONS ARE IN mm,

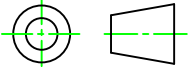
	NAME	DATE	kW	REFER TABLE	FRAME	KM132S
DRAWN	SGS	22/08/2022	POLE	REFER TABLE	MOUNTING	B35 (HORIZONTAL FOOT CUM FLANGE)
CHECKED	SGS	22/08/2022	PRODUCT CODE	REFER TABLE	CUSTOMER	
APPROVED	SSN	22/08/2022	MAX. CABLE SIZE	2RX3CX10MM ²	PO NO	
			PROJECT		CLIENT	

KIRLOSKAR OIL ENGINES LTD.
ELECTRIC MOTORS

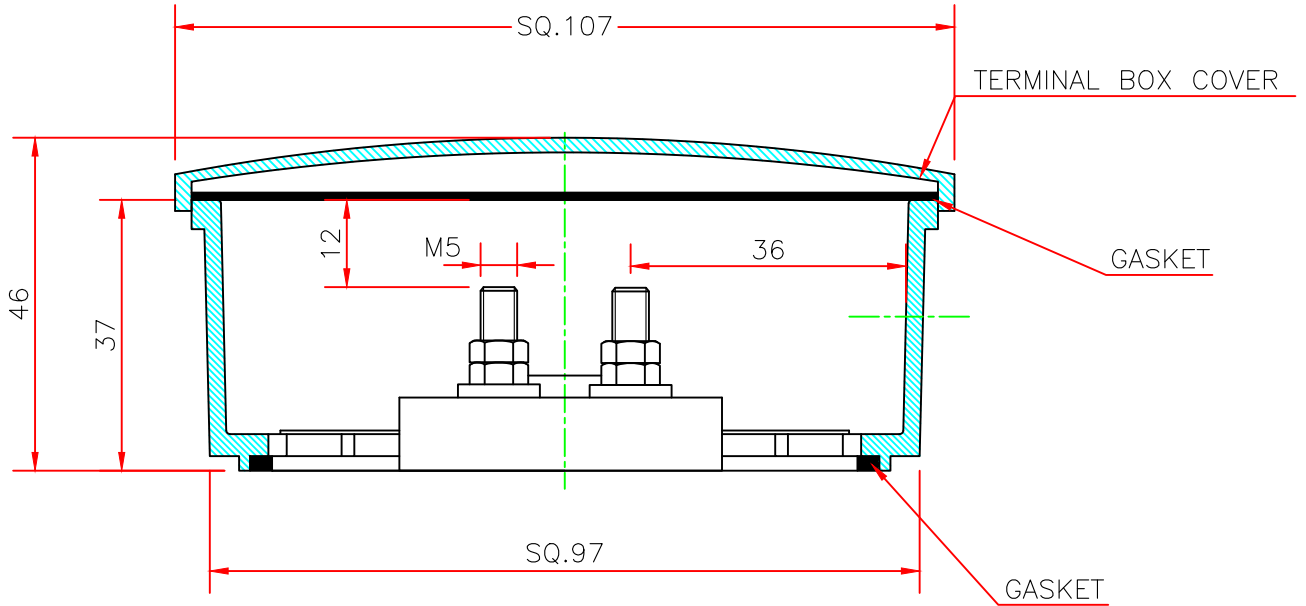
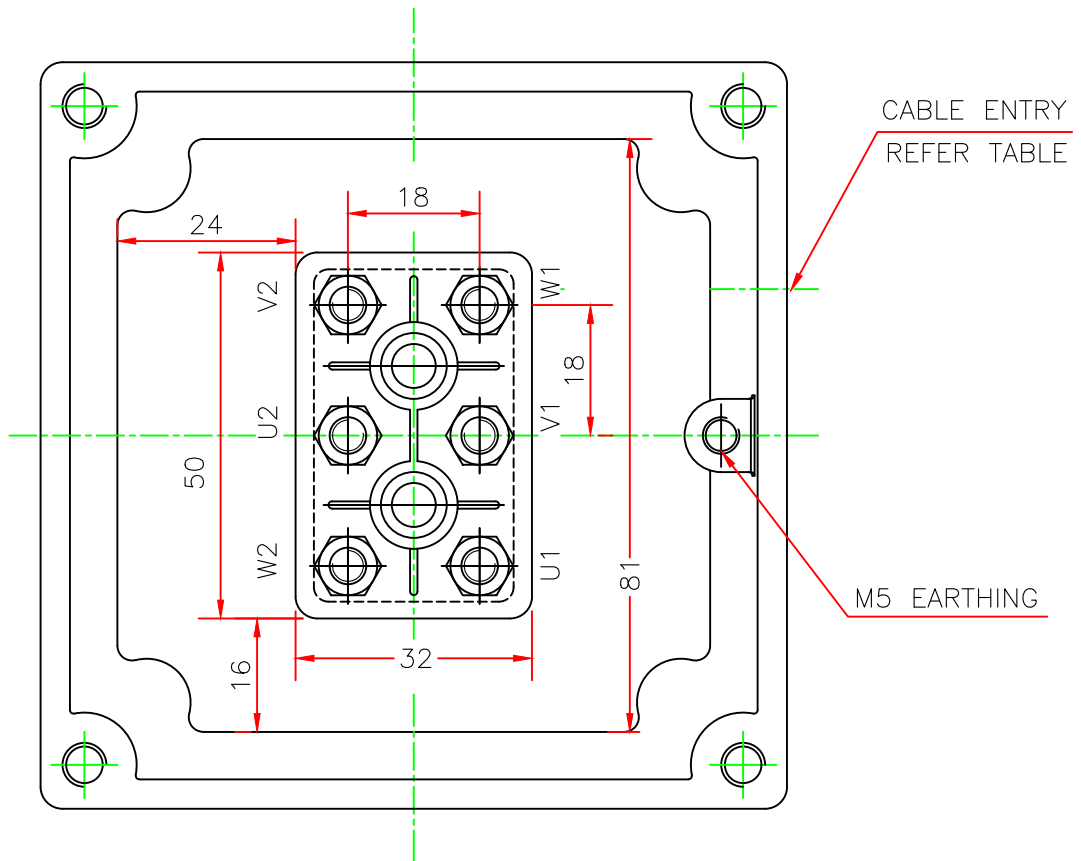
DO NOT SCALE
FORMAT NO.:KM-GA-2021 R0

DRAWING NO
KM132SB35TSR0

PROJECTION



TERMINAL ARRANGEMENT DRAWING



ALL DIMENSIONS ARE IN mm

	NAME	DATE	kW		FRAME	KM132S/M
DRAWN	SGS	24/12/2021	POLE		CUSTOMER	
CHECKED	SGS	24/12/2021	PRODUCT CODE		PO NO	
APPROVED	SSN	24/12/2021	MAX. CABLE SIZE	2RX3CX10MM ²	CLIENT	
			CABLE ENTRY	M25X1.5P-2NOS.	PROJECT	
KIRLOSKAR OIL ENGINES LTD. ELECTRIC MOTORS				DO NOT SCALE	DRAWING NO	
				FORMAT NO.:KM-TB-2021 R0	KM132TBR1	